

TRG
MIG/MAG SERIES



Welding Tools for the Professional

A Smart Approach

Parker Torchology is shaped by people with vision, a passion for improvement and a belief in delivering the very best Welding and Cutting Torch Range in the World.

We expect a great deal from our products, so we ask a lot of ourselves and our engineers.

Our mantra: **Innovation, Technology, Performance.**



DNA

Design and Engineering excellence are at the core of everything we do.

Every torch we build is driven by our relentless pursuit of perfection.

Premium Features

At Parker Torchology we do things differently, we strive to solve your problems with the perfect product to suit your needs. We create smart product features encased in cutting-edge design to ensure you always have the best tools to hand.





Production

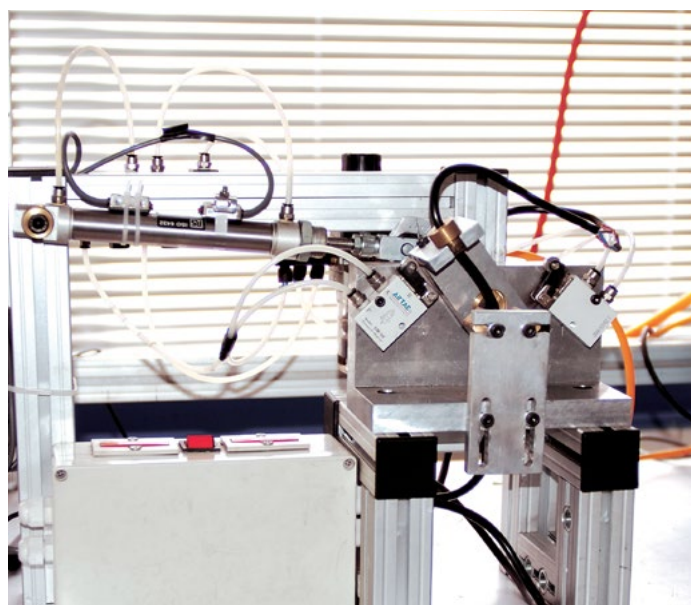
A fusion of precision production engineering, our bespoke processing techniques and a fanatical attention to detail ensures every welding torch we produce is worthy of the Parker Torchology name.

Testing, Testing, Testing

It takes patience to develop a new product, it's a lot more than a great idea.

Product development is an iterative process, trying something over and over, changing one small variable at a time.

We build endless prototypes and test pieces that undergo months of rigorous testing. Only once a product has passed up to 88 different test procedures, with every single part tested separately do we consider our latest designs ready for market.



Partners

Our customers and business partners play a vital role in our development. With the core aim to strive together, we work with end users, distributors and academic institutions alike.

As a result we share fundamental values in order to succeed in our respective market places, supporting economic growth and collaborative opportunities with others.



A Bright Future

Technology doesn't stand still, which is why we are constantly innovating to bring you the best products on the market.

Our strong vision and focused innovation strategy, not to mention our passion to revolutionize the industry, ensure that Parker Torchology is a byword for excellence.

We Talk Torches

Contents

TRG Mig/Mag Torch Range Features Focus	6
TRG Mig/Mag Torch Range Overview and Ratings	7

Torch Range

Air-Cooled

TRG TR 200A	8
TRG TR 300A	9
TRG TR 400A	10
TRG TR 500A	11

Wear Parts

Nozzles	12
Contact Tips	13
Diffuser	13
Head	13
Liners	14

Rear-End Spare Parts	15
-----------------------------	----

Direct Plug Connector Kits	17
-----------------------------------	----

TRG Mig/Mag Torch Range

Air-Cooled Features Focus

A straight handled series of torches developed to tackle the most demanding of Mig welding jobs.

Air-Cooled

Welding Tools for the Professional

100% Tregaskiss® Compatibility Guaranteed

Quality Wear Parts

All wear parts are manufactured to the same specification as the original manufacturer ensuring reliability, longevity and superior performance

- Contact tips are manufactured from premium grade copper alloys; we don't sacrifice performance by using low end or recycled raw materials
- A range of high performance head assemblies are available as standard
- The correct specification of raw material type, surface finish, tensile strength and the coiling technology utilized to form the liner are all essential elements in achieving the correct manufacture of a liner



Superior Flexibility and Durability

Every detail has been considered to ensure the welder has the very best handling in all positions

- Cable supports are designed to combine flexibility with smooth and consistent wire feeding
- Cable sets offer the ultimate in heat and abrasion resistance, fused by an electron beam process that maximizes flexibility and enhances durability



Tough and Resilient

Glass filled polymers are used to produce tough and resilient handle sets and rear end housings

- Euro bodies utilize industry standard (thanks to us!) spring pins
- A broad selection of optional rear-end terminations ensure worldwide compatibility



The Smart Way To Buy Welding and Cutting Tools



TRG Mig/Mag Torch Range

Ratings: 200 Amp to 350 Amp, Mixed Gas

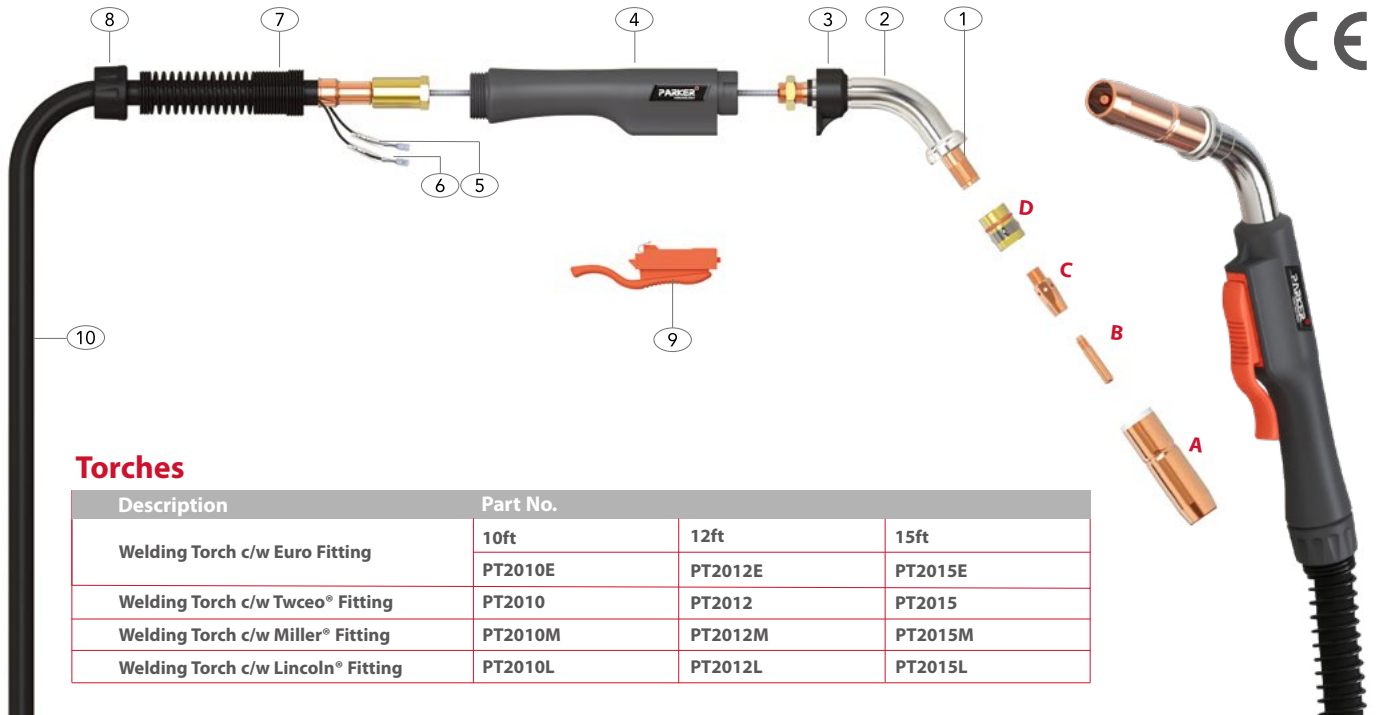


Model	TR 200A	TR 300A	TR 400A	TR 500A
Technical Data				
Cooling Method	Air-Cooled	Air-Cooled	Air-Cooled	Air-Cooled
Rating: CO ₂	250A	300A	400A	500A
Rating: Mixed Gas	200A	200A	300A	350A
Duty Cycle	60%	60%	60%	60%
Wire Size	0.6-1.2 / 0.023"-0.045"	0.8-1.2 / 0.030"-0.045"	1.0-1.6 / 0.040"-0.063"	1.0-1.6 / 0.040"-0.063"

Order Codes	10ft	PT2010 E/M/L	PT3010 E/M/L	PT4010 E/M/L	PT5010 E/M/L
	12ft	PT2012 E/M/L	PT3012 E/M/L	PT4012 E/M/L	PT5012 E/M/L
	15ft	PT2015 E/M/L	PT3015 E/M/L	PT4015 E/M/L	PT5015 E/M/L

TR 200A Mig/Mag Torch Range

Rating: 250A CO₂, 200A mixed gas, EN60974-7 @ 60% duty cycle. 0.6 to 1.2mm / 0.023-0.045" wires
Air-Cooled Mig Welding Torch



Torches

Description	Part No.		
	10ft	12ft	15ft
Welding Torch c/w Euro Fitting	PT2010E	PT2012E	PT2015E
Welding Torch c/w Twceo [®] Fitting	PT2010	PT2012	PT2015
Welding Torch c/w Miller [®] Fitting	PT2010M	PT2012M	PT2015M
Welding Torch c/w Lincoln [®] Fitting	PT2010L	PT2012L	PT2015L

Wear Parts

A Nozzles

Part No.	Description	Bore	Wall	Material
P401-4-38	1/8" Recess Tip 3/8"	9.50	2.25mm	Copper
P401-4-50	1/8" Recess Tip 1/2"	12.7	2.25mm	Copper
*P401-4-62	1/8" Recess Tip 5/8"	16.0	2.25mm	Copper
P401-4-75	1/8" Recess Tip 3/4"	19.0	2.25mm	Copper
P401-5-50	1/4" Recess Tip 1/2"	12.7	2.40mm	Copper
P401-5-62	1/4" Recess Tip 5/8"	16.0	2.40mm	Copper
P401-5-75	1/4" Recess Tip 3/4"	19.0	2.40mm	Copper
P401-6-50	1/8" Recess Tip 1/2"	12.7	2.40mm	Copper
P401-6-62	1/8" Recess Tip 5/8"	16.0	2.40mm	Copper
P401-6-75	1/8" Recess Tip 3/4"	19.0	2.40mm	Copper

B Contact Tips

Part No.	Description	Material	Wire Size	
			mm	inch
P403-10	Contact Tip	Ecu	1.0	0.040
P403-23	Contact Tip	Ecu	0.6	0.023
P403-30	Contact Tip	Ecu	0.8	0.030
*P403-35	Contact Tip	Ecu	0.9	0.035
P403-45	Contact Tip	Ecu	1.2	0.045

C Diffusers

Part No.	Description	Material
*P404	Gas Diffuser For Std Tip	Copper
P404-1	Gas Diffuser For H.D Tip	Copper

D Head

Part No.	Description	Material
*P402-3	Retaining Head Assembly	Brass

E Liners

Part No.	Description	Length	Wire Size	
			mm	inch
P415-23-10B	Steel Liner x 10ft	3.80mt	0.6	0.023
P415-23-15B	Steel Liner x 15ft	4.90mt	0.6	0.023
P415-30-10B	Steel Liner x 10ft	3.80mt	0.8	0.030
P415-30-15B	Steel Liner x 15ft	4.90mt	0.8	0.030
*P415-35-10B	Steel Liner x 10ft	3.80mt	0.9-1.2	0.035-0.045
*P415-35-15B	Steel Liner x 15ft	4.90mt	0.9-1.2	0.035-0.045

Spare parts

Part No.	Description
1 P402-5	Shock Washer
2 P205-60	Swan Neck Assembly
3 P210-6	Small Tregaskiss Handle End Cap
4 PRA20017K	Handle Assembly
5 PB1521	Cable Terminal
6 PB1521-C	Cable Terminal Cover
7 PTR8017	Spring Cable Support
8 PTR8003	Handle Lock Nut
9 P211-5	Trigger
10 P213-10	Cable Assembly x 10ft
P213-12	Cable Assembly x 12ft
P213-15	Cable Assembly x 15ft

*Denotes torch package standard wear part set-up

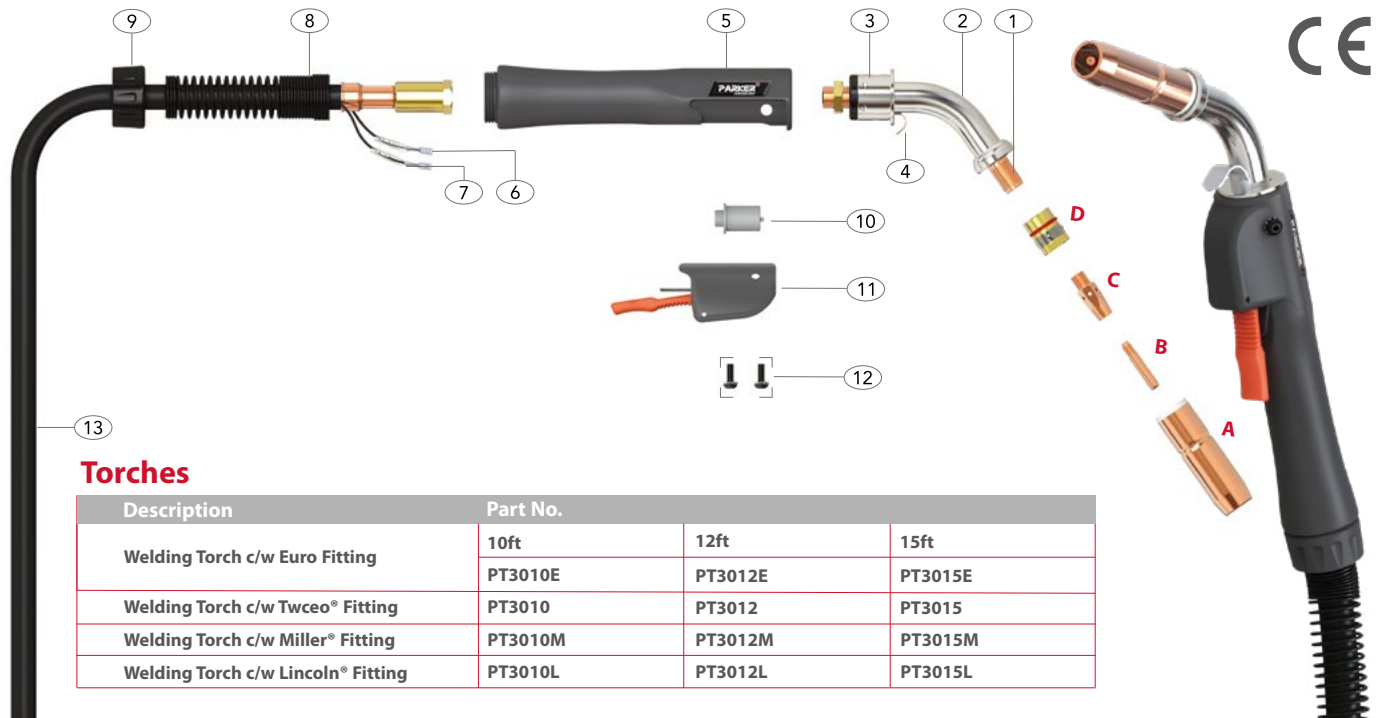
For more information please refer to the following sections:

- *Master Wear Parts Table Page 12-14
- *Rear-End / Cable Parts Page 15-18



TR 300A Mig/Mag Torch Range

Rating: 300A CO₂, 200A mixed gas, EN60974-7 @ 60% duty cycle. 0.8 to 1.2mm / 0.030-0.045" wires
Air-Cooled Mig Welding Torch



Torches

Description	Part No.		
	10ft	12ft	15ft
Welding Torch c/w Euro Fitting	PT3010E	PT3012E	PT3015E
Welding Torch c/w Twceo® Fitting	PT3010	PT3012	PT3015
Welding Torch c/w Miller® Fitting	PT3010M	PT3012M	PT3015M
Welding Torch c/w Lincoln® Fitting	PT3010L	PT3012L	PT3015L

Wear Parts

A Nozzles

Part No.	Description	Bore	Wall	Material
P401-4-38	1/8" Recess Tip 3/8"	9.50	2.25mm	Copper
P401-4-50	1/8" Recess Tip 1/2"	12.7	2.25mm	Copper
*P401-4-62	1/8" Recess Tip 5/8"	16.0	2.25mm	Copper
P401-4-75	1/8" Recess Tip 3/4"	19.0	2.25mm	Copper
P401-5-50	1/4" Recess Tip 1/2"	12.7	2.40mm	Copper
P401-5-62	1/4" Recess Tip 5/8"	16.0	2.40mm	Copper
P401-5-75	1/4" Recess Tip 3/4"	19.0	2.40mm	Copper
P401-6-50	1/8" Recess Tip 1/2"	12.7	2.40mm	Copper
P401-6-62	1/8" Recess Tip 5/8"	16.0	2.40mm	Copper
P401-6-75	1/8" Recess TIP 3/4"	19.0	2.40mm	Copper

B Contact Tips

Part No.	Description	Material	Wire Size	
			mm	inch
P403-10	Contact Tip	Ecu	1.0	0.040
P403-30	Contact Tip	Ecu	0.8	0.030
*P403-35	Contact Tip	Ecu	0.9	0.035
P403-45	Contact Tip	Ecu	1.2	0.045
P403-1-10	Contact Tip	Ecu	1.0	0.040
P403-1-30	Contact Tip	Ecu	0.8	0.030
P403-1-35	Contact Tip	Ecu	0.9	0.035
P403-1-45	Contact Tip	Ecu	1.2	0.045
P403-1-364	Contact Tip	Ecu	1.2A	3/64"A

C Diffusers

Part No.	Description	Material
*P404	Gas Diffuser For Std Tip	Copper
P404-1	Gas Diffuser For H.D Tip	Copper

*Denotes torch package standard wear part set-up

For more information please refer to the following sections:

- *Master Wear Parts Table Page 12-14
- *Rear-End / Cable Parts Page 15-18

D Head

Part No.	Description	Material
*P402-3	Retaining Head Assembly	Brass
P404-3	Retaining Head Assembly	Brass

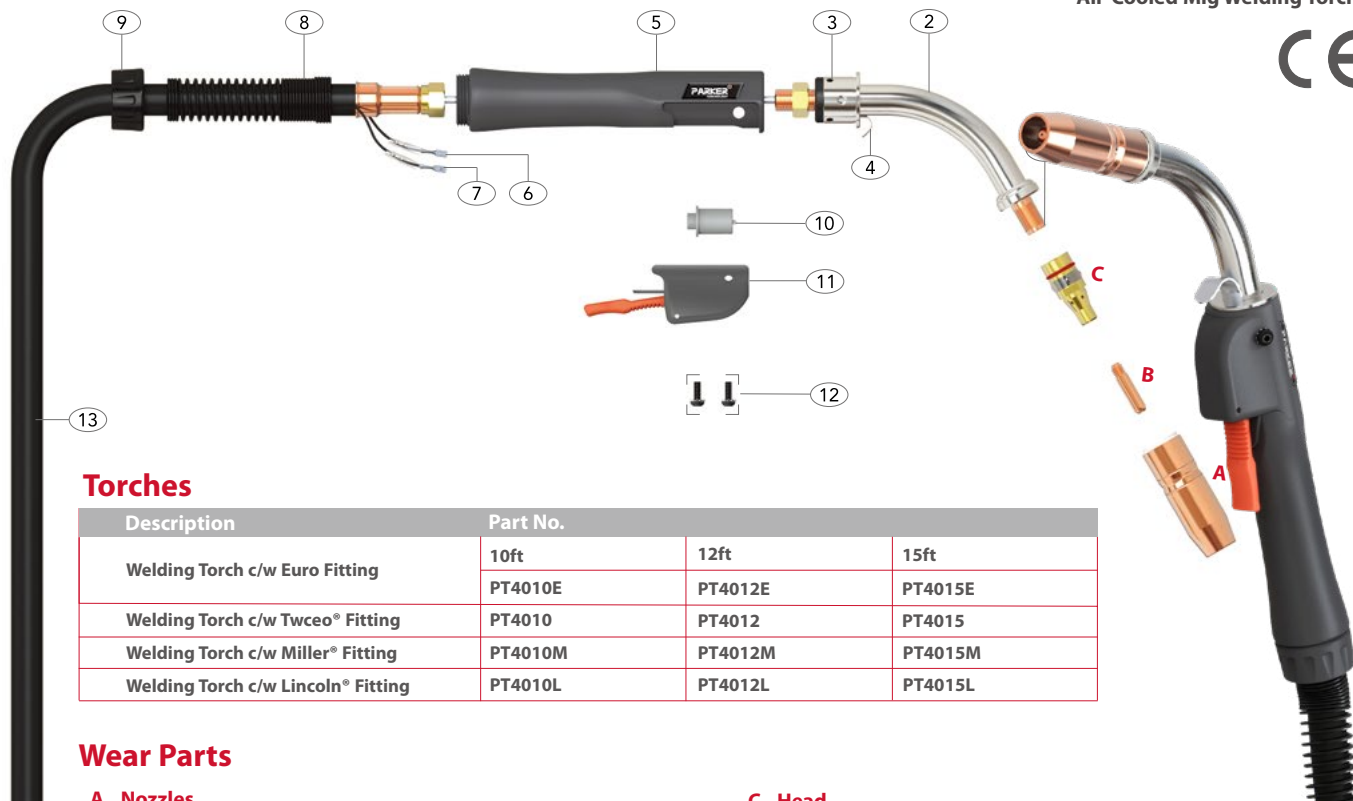
E Liners

Part No.	Description	Length	Wire Size	
			mm	inch
P415-30-10B	Steel Liner x 10ft	3.80mt	0.8	0.030
P415-30-15B	Steel Liner x 15ft	4.90mt	0.8	0.030
*P415-35-10B	Steel Liner x 10ft	3.80mt	0.9-1.2	0.035-0.045
*P415-35-15B	Steel Liner x 15ft	4.90mt	0.9-1.2	0.035-0.045

Spare Parts

Part No.	Description
1	P402-5 Shock Washer
2	P305-60 Swan Neck Assembly
3	P407 Torch Body Assembly
4	PB2517 Hanger Hook
5	PRA30017K Handle Assembly
6	PB1521 Cable Terminal
7	PB1521-C Cable Terminal Cover
8	PTR8018 Cable Support
9	PTR8015 Handle Lock Nut
10	P411-1 Trigger Switch
11	PRA30017Q Switch Housing c/w Trigger
12	P411-3 No.10-32 UNF Screws c/w Washer
13	P313-10 Cable Assembly x 10ft
	P313-12 Cable Assembly x 12ft
	P313-15 Cable Assembly x 15ft





Torches

Description	Part No.		
	10ft	12ft	15ft
Welding Torch c/w Euro Fitting	PT4010E	PT4012E	PT4015E
Welding Torch c/w Twceo [®] Fitting	PT4010	PT4012	PT4015
Welding Torch c/w Miller [®] Fitting	PT4010M	PT4012M	PT4015M
Welding Torch c/w Lincoln [®] Fitting	PT4010L	PT4012L	PT4015L

Wear Parts

A Nozzles

Part No.	Description	Bore	Wall	Material
P401-4-38	1/8" Recess Tip 3/8"	9.50	2.25mm	Copper
P401-4-50	1/8" Recess Tip 1/2"	12.7	2.25mm	Copper
P401-4-62	1/8" Recess Tip 5/8"	16.0	2.25mm	Copper
P401-4-75	1/8" Recess Tip 3/4"	19.0	2.25mm	Copper
P401-5-50	1/4" Recess Tip 1/2"	12.7	2.40mm	Copper
*P401-5-62	1/4" Recess Tip 5/8"	16.0	2.40mm	Copper
P401-5-75	1/4" Recess Tip 3/4"	19.0	2.40mm	Copper
P401-6-50	1/8" Recess Tip 1/2"	12.7	2.40mm	Copper
P401-6-62	1/8" Recess Tip 5/8"	16.0	2.40mm	Copper
P401-6-75	1/8" Recess Tip 3/4"	19.0	2.40mm	Copper

B Contact Tips

Part No.	Description	Material	Wire Size	
			mm	inch
P403-10	Contact Tip	Ecu	1.0	0.040
P403-35	Contact Tip	Ecu	0.9	0.035
P403-45	Contact Tip	Ecu	1.2	0.045
P403-52	Contact Tip	Ecu	1.3	0.052
P403-116	Contact Tip	Ecu	1.6	1/16"
P403-1-10	Contact Tip	Ecu	1.0	0.040
P403-1-35	Contact Tip	Ecu	0.9	0.035
*P403-1-45	Contact Tip	Ecu	1.2	0.045
P403-1-52	Contact Tip	Ecu	1.3	0.052
P403-1-55	Contact Tip	Ecu	1.4	0.055
P403-1-116	Contact Tip	Ecu	1.6	1/16"
P403-1-364	Contact Tip	Ecu	1.2A	3/64"A

*Denotes torch package standard wear part set-up
For more information please refer to the following sections:
• Master Wear Parts Table Page 12-14
• Rear-End / Cable Parts Page 15-18

C Head

Part No.	Description	Material
P402-3	Retaining Head Assembly	Brass
*P404-3	Retaining Head Assembly	Brass

D Liners

Part No.	Description	Length	Wire Size	
			mm	inch
P415-35-10B	Steel Liner x 10ft	3.80mt	0.9-1.2	0.035-0.045
P415-35-15B	Steel Liner x 15ft	4.90mt	0.9-1.2	0.035-0.045
*P415-116-10B	Steel Liner x 10ft	3.80mt	1.2-1.6	0.045-1/16"
*P415-116-15B	Steel Liner x 15ft	4.90mt	1.2-1.6	0.045-1/16"

Spare Parts

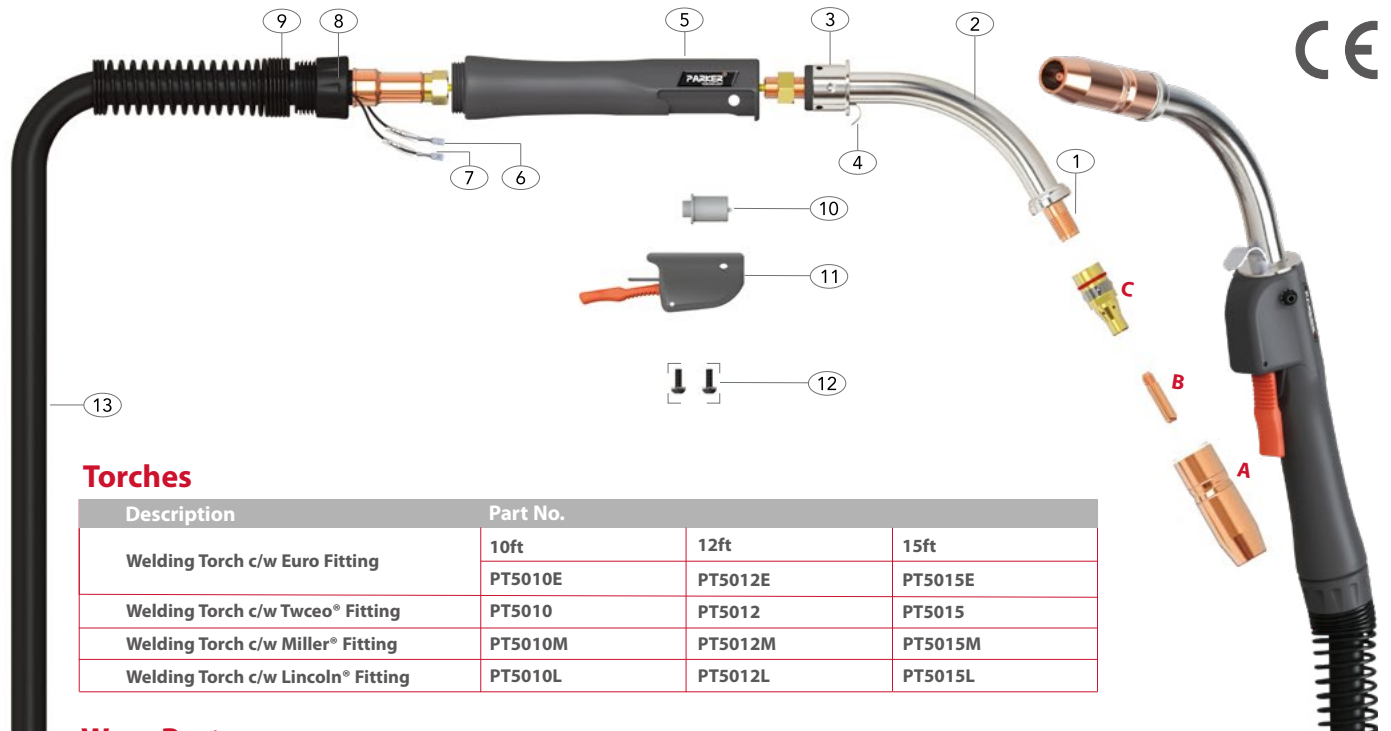
Part No.	Description
1	P402-5 Shock Washer
2	P405-60 Swan Neck Assembly
3	P407 Torch Body Assembly
4	PB2517 Hanger Hook
5	PRA30017K Handle Assembly
6	PB1521 Cable Terminal
7	PB1521-C Cable Terminal Cover
8	PTR8018 Cable Support
9	PTR8015 Handle Lock Nut
10	P411-1 Trigger Switch
11	PRA30017Q Switch Housing c/w Trigger
12	P411-3 No.10-32 UNF Screws c/w Washer
13	P413-10 Cable Assembly x 10ft
	P413-12 Cable Assembly x 12ft
	P413-15 Cable Assembly x 15ft



TR 500A Mig/Mag Torch Range

Rating: 500A CO₂, 350A mixed gas, EN60974-7 @ 60% duty cycle. 1.0 to 1.6mm / 0.040-1/16" wires

Air-Cooled Mig Welding Torch



Torches

Description	Part No.		
	10ft	12ft	15ft
Welding Torch c/w Euro Fitting	PT5010E	PT5012E	PT5015E
Welding Torch c/w Twceo® Fitting	PT5010	PT5012	PT5015
Welding Torch c/w Miller® Fitting	PT5010M	PT5012M	PT5015M
Welding Torch c/w Lincoln® Fitting	PT5010L	PT5012L	PT5015L

Wear Parts

A Nozzles

Part No.	Description	Bore	Wall	Material
P401-4-38	1/8" Recess tip 3/8"	9.50	2.25mm	Copper
P401-4-50	1/8" Recess tip 1/2"	12.7	2.25mm	Copper
P401-4-62	1/8" Recess tip 5/8"	16.0	2.25mm	Copper
P401-4-75	1/8" Recess tip 3/4"	19.0	2.25mm	Copper
P401-5-50	1/4" Recess tip 1/2"	12.7	2.40mm	Copper
*P401-5-62	1/4" Recess tip 5/8"	16.0	2.40mm	Copper
P401-5-75	1/4" Recess tip 3/4"	19.0	2.40mm	Copper
P401-6-50	1/8" Recess tip 1/2"	12.7	2.40mm	Copper
P401-6-62	1/8" Recess tip 5/8"	16.0	2.40mm	Copper
P401-6-75	1/8" Recess tip 3/4"	19.0	2.40mm	Copper

B Contact Tips

Part No.	Description	Material	Wire Size	
			mm	inch
P403-10	Contact Tip	Ecu	1.0	0.040
P403-45	Contact Tip	Ecu	1.2	0.045
P403-52	Contact Tip	Ecu	1.3	0.052
P403-116	Contact Tip	Ecu	1.6	1/16"
P403-1-10	Contact Tip	Ecu	1.0	0.040
P403-1-45	Contact Tip	Ecu	1.2	0.045
P403-1-52	Contact Tip	Ecu	1.3	0.052
P403-1-55	Contact Tip	Ecu	1.4	0.055
*P403-1-116	Contact Tip	Ecu	1.6	1/16"
P403-1-364	Contact Tip	Ecu	1.2A	3/64"A
P403-1-564	Contact Tip	Ecu	2.0	5/64"

C Head

Part No.	Description	Material
P402-3	Retaining Head Assembly	Brass
*P404-3	Retaining Head Assembly	Brass

D Liners

Part No.	Description	Length	Wire Size	
			mm	inch
P415-35-10B	Steel Liner x 10ft	3.80mt	0.9-1.2	0.035-0.045
P415-35-15B	Steel Liner x 15ft	4.90mt	0.9-1.2	0.035-0.045
*P415-116-10B	Steel Liner x 10ft	3.80mt	1.2-1.6	0.045-1/16"
*P415-116-15B	Steel Liner x 15ft	4.90mt	1.2-1.6	0.045-1/16"

Spare Parts

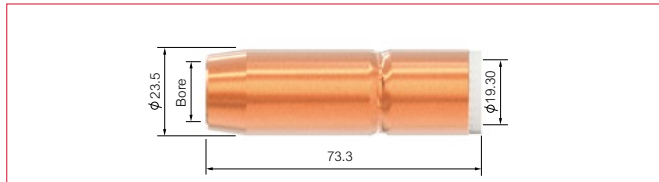
Part No.	Description
1	P402-5 Shock Washer
2	P505-60 Swan Neck Assembly
3	P407 Torch Body Assembly
4	PB2517 Hanger Hook
5	PRA30017K Handle Assembly
6	PB1521 Cable Terminal
7	PB1521-C Cable Terminal Cover
8	PRA50017F Lock Nut
9	PTR8019 Cable Support - Large Handle
10	P411-1 Trigger Switch
11	PRA30017Q Switch Housing c/w Trigger
12	P411-3 No.10-32 UNF Screws c/w Washer
13	P513-10 Cable Assembly x 10ft
	P513-12 Cable Assembly x 12ft
	P513-15 Cable Assembly x 15ft

*Denotes torch package standard wear part set-up
For more information please refer to the following sections:
•Master Wear Parts Table Page 12-14
•Rear-End / Cable Parts Page 15-18

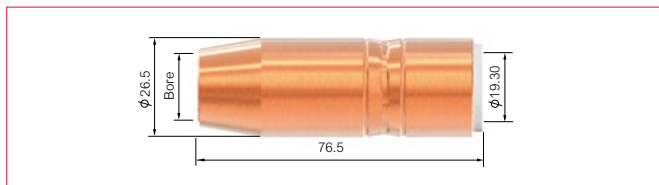


TRG 200A/300A/400A/500A

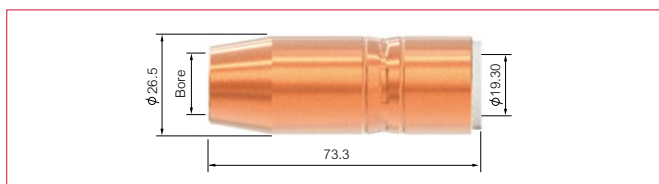
Part No.	Description	Bore	Wall	Material
P401-4-38	1/8" Recess Tip 3/8" Bore Nozzle	9.50	2.25mm	Copper
P401-4-50	1/8" Recess Tip 1/2" Bore Nozzle	12.7	2.25mm	Copper
*P401-4-62	1/8" Recess Tip 5/8" Bore Nozzle	16.0	2.25mm	Copper
P401-4-75	1/8" Recess Tip 3/4" Bore Nozzle	19.0	2.25mm	Copper



P401-5-50	1/4" Recess Tip 1/2" Bore Nozzle	12.7	2.40mm	Copper
*P401-5-62	1/4" Recess Tip 5/8" Bore Nozzle	16.0	2.40mm	Copper
P401-5-75	1/4" Recess Tip 3/4" Bore Nozzle	19.0	2.40mm	Copper



P401-6-50	1/8" Recess Tip 1/2" Bore Nozzle	12.7	2.40mm	Copper
P401-6-62	1/8" Recess Tip 5/8" Bore Nozzle	16.0	2.40mm	Copper
P401-6-75	1/8" Recess Tip 3/4" Bore Nozzle	19.0	2.40mm	Copper

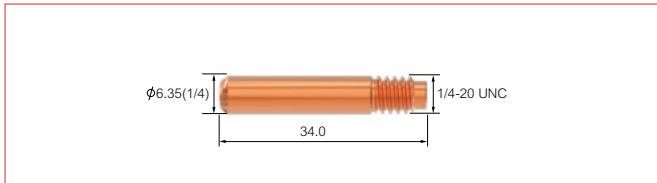


* Denotes torch package standard wear part set-up

Contact Tip

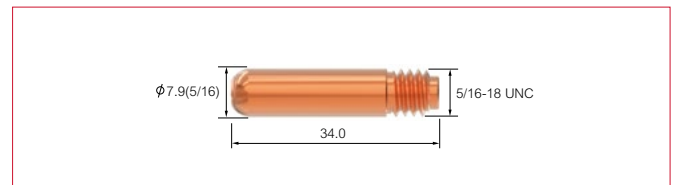
TRG 200A/300A/400A/500A

Part No.	Description	Wire Size		Material
		mm	inch	
P403-10	Contact Tip	1.0	0.040	Ecu
P403-23	Contact Tip	0.6	0.023	Ecu
P403-30	Contact Tip	0.8	0.030	Ecu
*P403-35	Contact Tip	0.9	0.035	Ecu
P403-45	Contact Tip	1.2	0.045	Ecu
P403-52	Contact Tip	1.3	0.052	Ecu
P403-116	Contact Tip	1.6	1/16"	Ecu



TRG 300A/400A/500A

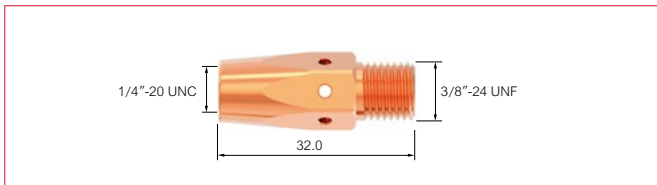
Part No.	Description	Wire Size		Material
		mm	inch	
P403-1-10	Contact Tip	1.0	0.040	Ecu
P403-1-30	Contact Tip	0.8	0.030	Ecu
P403-1-35	Contact Tip	0.9	0.035	Ecu
*P403-1-45	Contact Tip	1.2	0.045	Ecu
P403-1-52	Contact Tip	1.3	0.052	Ecu
P403-1-55	Contact Tip	1.4	0.055	Ecu
P403-1-1.8	Contact Tip	1.8	0.071	Ecu
*P403-1-116	Contact Tip	1.6	1/16"	Ecu
P403-1-332	Contact Tip	2.4	3/32"	Ecu
P403-1-364	Contact Tip	1.2A	3/64"A	Ecu
P403-1-564	Contact Tip	2.0	5/64"	Ecu



Diffuser

TRG 200A/300A

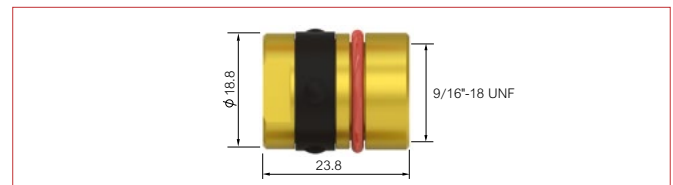
Part No.	Description	Material
*P404	Gas Diffuser For Std Tip	Copper
P404-1	Gas Diffuser For H.D Tip	Copper



Head

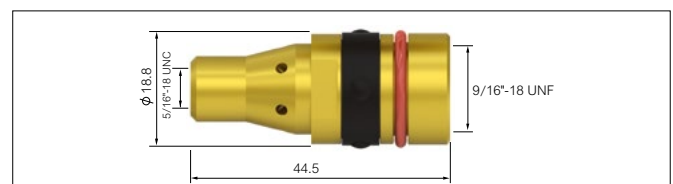
TRG 200A/300A/400A/500A

Part No.	Description	Material
*P402-3	Retaining Head Assembly	Brass



TRG 300A/400A/500A

Part No.	Description	Material
*P404-3	Retaining Head Assembly	Brass



* Denotes torch package standard wear part set-up

Liner Options 0.8-0.9mm

TRG 200A

Part No.	Description	Length	Nipple	Wire Size	
				mm	inch
P415-23-10B	Steel Liner x 10ft	3.80m	Brass Nipple	0.6	0.023
P415-23-15B	Steel Liner x 15ft	4.90m	Brass Nipple	0.6	0.023
P415-23-25B	Steel Liner x 25ft	8.10m	Brass Nipple	0.6	0.023



TRG 200A/300A

Part No.	Description	Length	Nipple	Wire Size	
				mm	inch
P415-30-10B	Steel Liner x 10ft	3.80m	Brass Nipple	0.8	0.030
P415-30-15B	Steel Liner x 15ft	4.90m	Brass Nipple	0.8	0.030
P415-30-25B	Steel Liner x 25ft	8.10m	Brass Nipple	0.8	0.030



TRG 200A/300A/400A/500A

Part No.	Description	Length	Nipple	Wire Size	
				mm	inch
*P415-35-10B	Steel Liner x 10ft	3.80m	Brass Nipple	0.9-1.2	0.035-0.045
*P415-35-15B	Steel Liner x 15ft	4.90m	Brass Nipple	0.9-1.2	0.035-0.045
P415-35-25B	Steel Liner x 25ft	8.10m	Brass Nipple	0.9-1.2	0.035-0.045



TRG 400A/500A

Part No.	Description	Length	Nipple	Wire Size	
				mm	inch
P415-116-1B	Steel Liner x 1ft	0.30m	Brass Nipple	1.2-1.6	0.045-1/16"
*P415-116-10B	Steel Liner x 10ft	3.80m	Brass Nipple	1.2-1.6	0.045-1/16"
*P415-116-15B	Steel Liner x 15ft	4.90m	Brass Nipple	1.2-1.6	0.045-1/16"
P415-116-25B	Steel Liner x 25ft	8.10m	Brass Nipple	1.2-1.6	0.045-1/16"

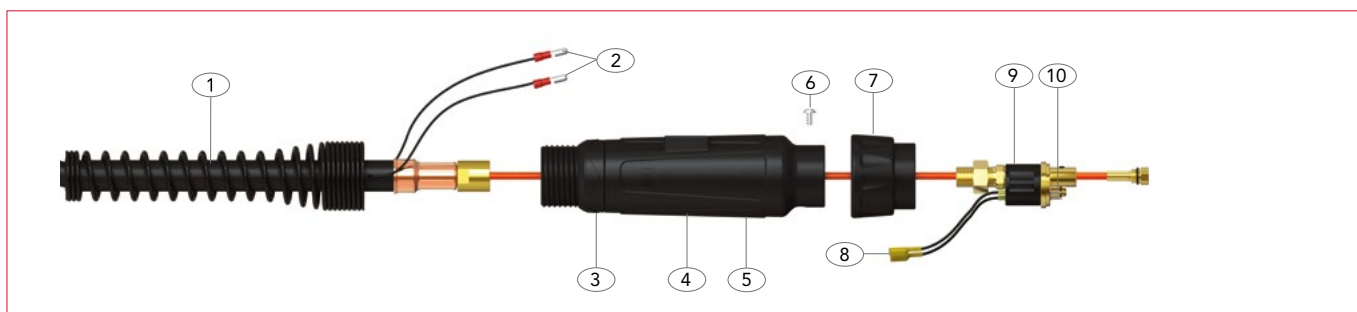


* Denotes torch package standard wear part set-up

Euro Termination

TRG 200/300

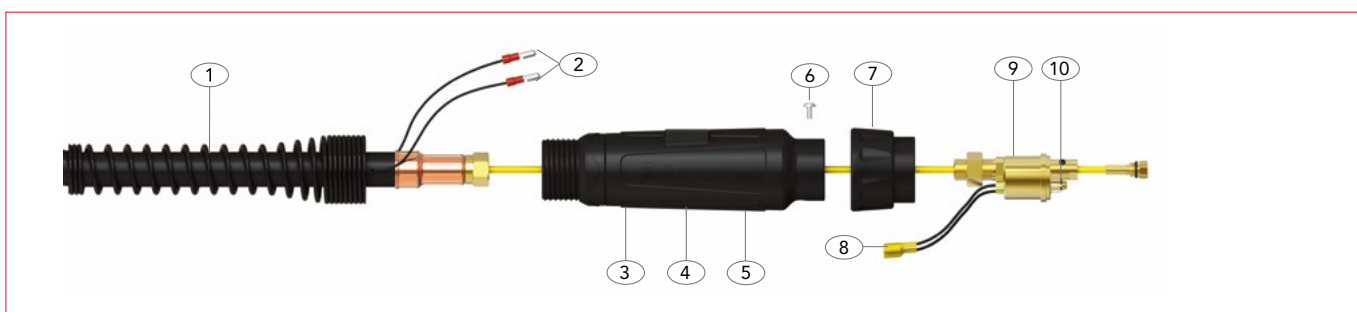
Part No.	Description
1 PC8026	Housing Spring(Short)
2 PB1522	Cable Terminal Male
3 PT8028	Spring Cable Support Nut
4 SC8017	Large Housing Cover
5 PT5022	Gun Plug Housing Assembly
6 PBL1541	Gun Plug Screw
7 PC1519/S	Euro Housing Nut Assembly
8 PB1523	Gun Plug Terminal Female
9 PC425-10K	Euro Gun Plug Body
10 PB1524	Gun Plug "O" Ring



Euro Termination

TRG 400/500

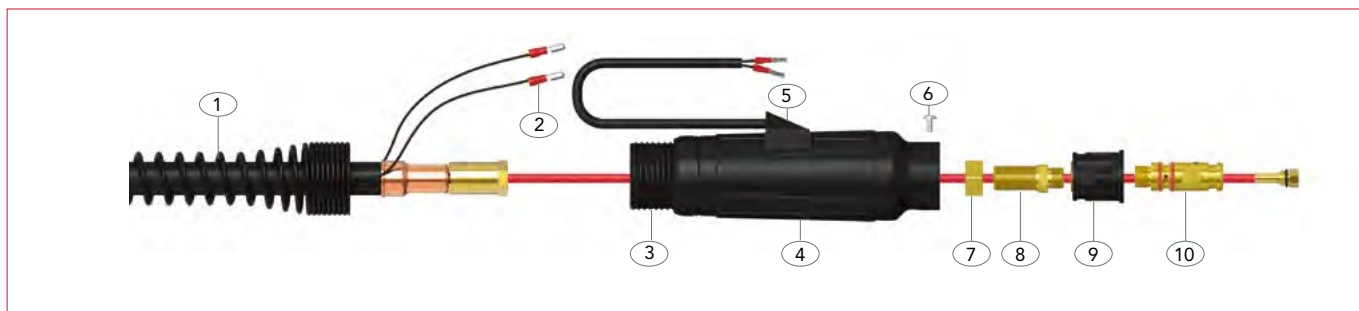
Part No.	Description
1 PC8026	Housing Spring(Short)
2 PB1522	Cable Terminal Male
3 PT8028	Spring Cable Support Nut
4 SC8017	Large Housing Cover
5 PT5022	Gun Plug Housing Assembly
6 PB1526	Gun Plug Screw
7 PB1519/S	Euro Housing Nut Assembly
8 PB1523	Gun Plug Terminal Female
9 PE425-10K	Gun Plug Body
10 PB1524	Gun Plug "O" Ring



Tweco® Termination

TRG 200/300/400

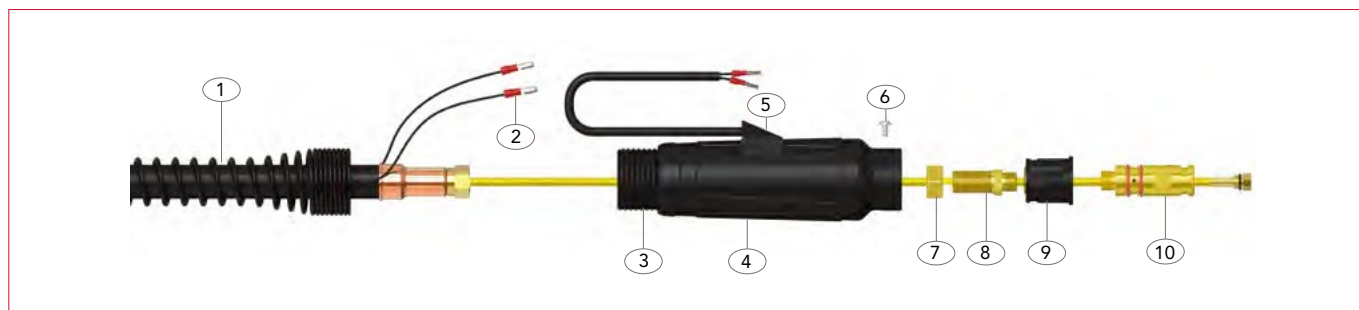
Part No.	Description	
1	PC8026	Housing Spring(Short)
2	PB1522	Cable Terminal Male
3	PT8028	Spring Cable Support Nut
4	PT5022	Gun Plug Housing Assembly
5	SC8017	Large Housing Wire Cover
6	PBL1541	Gun Plug Screw
7	PE425-10K/3	Cable End Lock Nut
8	PTR1587	Cable End Adaptor
9	PECEM1575/2	Hybrid Plug Body TWC 1-4
10	PECET1575/T/1	Tweco® 1-4 Power Pin



Tweco® Termination

TRG 500

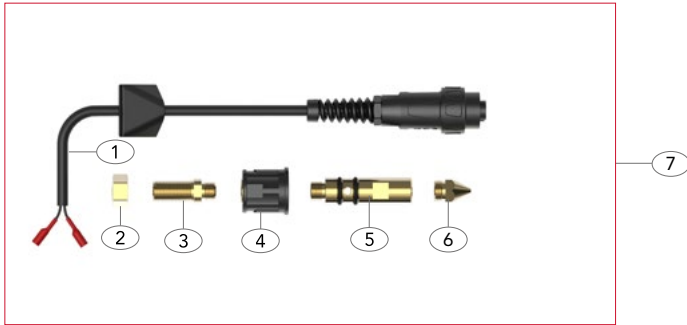
Part No.	Description	
1	PC8026	Housing Spring(Short)
2	PB1522	Cable Terminal Male
3	PT8028	Spring Cable Support Nut
4	PT5022	Gun Plug Housing Assembly
5	SC8017	Large Housing Wire Cover
6	PBL1541	Gun Plug Screw
7	PE425-10K/3	Cable End Lock Nut
8	PTR1587	Cable End Adaptor
9	PECEM1575/2	Hybrid Plug Body TWC 5
10	PECET1576/1	Tweco® 5 Power Pin



TRG Mig/Mag Torch Range

USA Direct Plug Connector Kits

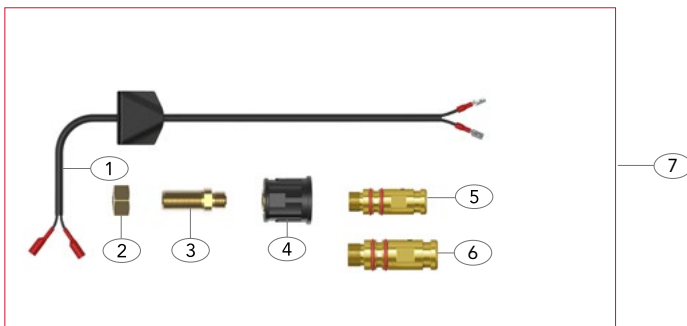
Miller®



Direct Plug Connector

Part No.	Description
1	PECEM1575/SW/C Miller® Plug Assembly
2	PE425-10K/3 Cable End Lock Nut
3	PTR1587 Cable End Adaptor
4	PECEM1575/2 Hybrid Plug Body TWC 1-4
5	PECEM1575/T/1 Miller® Power Pin
6	*PML1570 Wire Guide 0.35" - 1/16"
	PML1571 Wire Guide 5/16" - 3/32"
7	PECEM1575/TE Miller® Rear End Kit

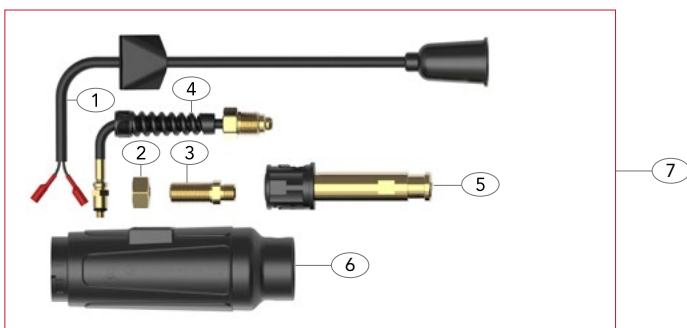
Tweco®



Direct Plug Connector

Part No.	Description
1	PECEL1575/SW/C Switch Wire Assembly
2	PE425-10K/3 Cable End Lock Nut
3	PTR1587 Cable End Adaptor
4	PECEM1575/2 Hybrid Plug Body TWC 1-4
5	PECET1575/T/1 Tweco® 1-4 Power Pin
6	PECET1576/T/1 Tweco® 5 Power Pin
7	PECEM1575/TE Tweco® Rear End Kit
	PECET1576/TE Tweco® Rear End Kit

Lincoln®



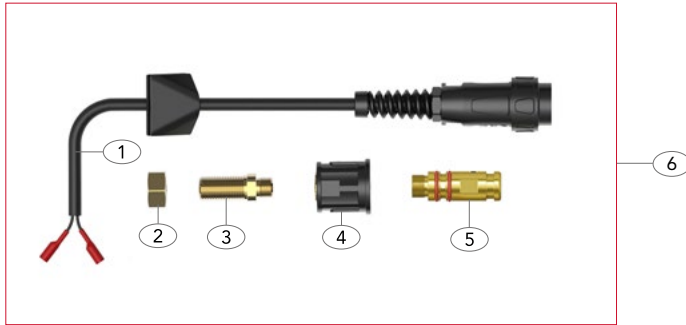
Direct Plug Connector

Part No.	Description
1	PM16725/C Lincoln® Plug Assembly
2	PE425-10K/3 Cable End Lock Nut
3	PTR1587 Cable End Adaptor
4	PECEL1575/G Lincoln® Gas Tube Assembly
5	PECEL1575/T Lincoln® Power Pin
6	PT5022/L Gun Plug Housing Assembly Lincoln®
7	PECEL1575/TE Lincoln® Rear End Kit

* Denotes torch package standard wear part set-up

USA Direct Plug Connector Kits

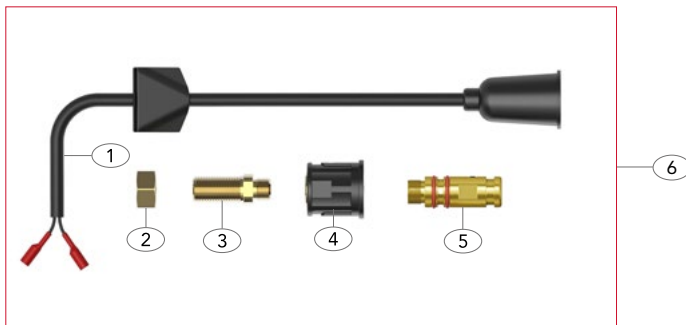
LPW



Direct Plug Connector

Part No.	Description
1	PECEM1575/SW/C Miller® Plug Assembly
2	PE425-10K/3 Cable End Lock Nut
3	PTR1587 Cable End Adaptor
4	PECEM1575/2 Hybrid Plug Body TWC 1-4
5	PECET1575/T/1 Tweco® 1-4 Power Pin
6	PECELPW1575/TE LPW Rear End Kit

LPB



Direct Plug Connector

Part No.	Description
1	PM16725/C Lincoln® Plug Assembly
2	PE425-10K/3 Cable End Lock Nut
3	PTR1587 Cable End Adaptor
4	PECEM1575/2 Hybrid Plug Body TWC 1- 4
5	PECET1575/T/1 Tweco® 1- 4 Power Pin
6	PECELPB1575/TE LPB Rear End Kit



POWERWELD

INDIANA

PowerWeld Corporation

2501 Beech Street
Valparaiso, Indiana 46383, U.S.A.
Telephone: (800)826-9073
Facsimile: (888) 684-3759

Local Numbers

Telephone: (219)462-8700
Facsimile: (219) 462-2424
www.powerweldinc.com
sales@powerweldinc.com

TEXAS

PowerWeld Corporation

602 E. Avenue K,
Grand Prairie, Texas 75050, U.S.A.
Telephone: (855)780-9353(weld)
Facsimile: (855)785-9353(weld)

Local Numbers

Telephone: (972)641-9353(weld)
Facsimile: (972)641-9354
www.powerweldinc.com
sales@powerweldinc.com

ONTARIO

Techniweld Corporation

2300 Winston Park Drive
Oakville, Ontario, L6H 7T7 Canada
Telephone: 1-800-268-4833
Facsimile: 1-800-463-0790

Local Numbers

Phone: (905)829-8780
Fax: (905)829-5660
www.techniweld.com
sales@techniweld.com

ALBERTA

Techniweld Corporation

4212 55 Avenue NW
Edmonton, Alberta T6B 3S2
Telephone: 1-800-661-9880
Facsimile: 1-800-635-3185

Local Numbers

Phone: (780)434-1117
Fax: (780)434-1188
www.techniweld.com
sales@techniweld.com

