

TWC
MIG/MAG SERIES



Welding Tools for the Professional

A Smart Approach

Parker Torchology is shaped by people with vision, a passion for improvement and a belief in delivering the very best Welding and Cutting Torch Range in the World.

We expect a great deal from our products, so we ask a lot of ourselves and our engineers.

Our mantra: **Innovation, Technology, Performance.**



DNA

Design and Engineering excellence are at the core of everything we do.

Every torch we build is driven by our relentless pursuit of perfection.

Premium Features

At Parker Torchology we do things differently, we strive to solve your problems with the perfect product to suit your needs. We create smart product features encased in cutting-edge design to ensure you always have the best tools to hand.





Production

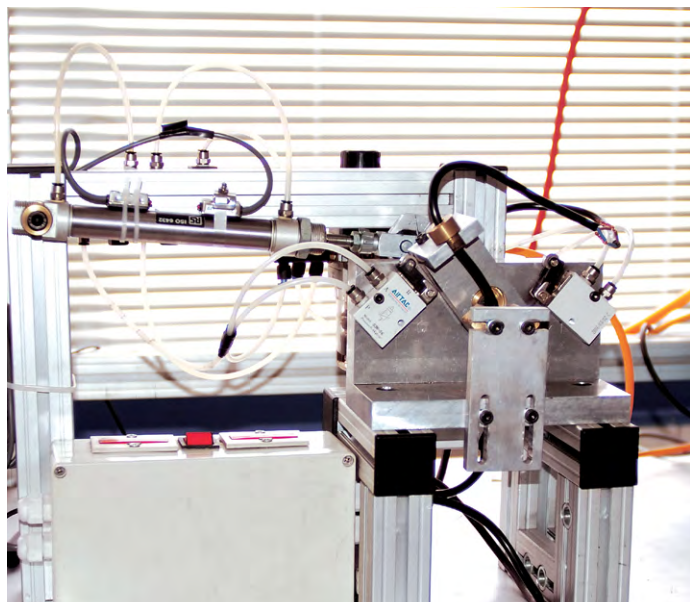
A fusion of precision production engineering, our bespoke processing techniques and a fanatical attention to detail ensures every welding torch we produce is worthy of the Parker Torchology name.

Testing, Testing, Testing

It takes patience to develop a new product, it's a lot more than a great idea.

Product development is an iterative process, trying something over and over, changing one small variable at a time.

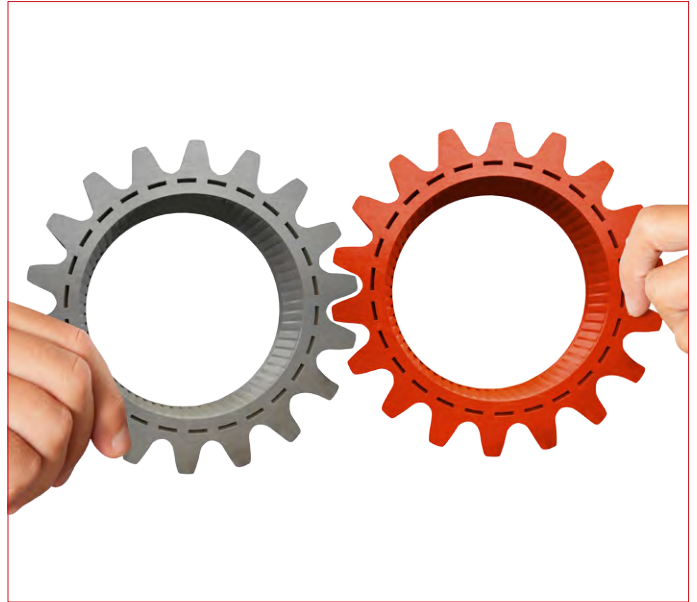
We build endless prototypes and test pieces that undergo months of rigorous testing. Only once a product has passed up to 88 different test procedures, with every single part tested separately do we consider our latest designs ready for market.



Partners

Our customers and business partners play a vital role in our development. With the core aim to strive together, we work with end-users, distributors and academic institutions alike.

As a result we share fundamental values in order to succeed in our respective market places, supporting economic growth and collaborative opportunities with others.



A Bright Future

Technology doesn't stand still, which is why we are constantly innovating to bring you the best products on the market.

Our strong vision and focused innovation strategy, not to mention our passion to revolutionize the industry, ensure that Parker Torchology is a byword for excellence.

We Talk Torches

Contents

TWC Mig/Mag Torch Range Features Focus	6
TWC Mig/Mag Torch Range Overview and Ratings	7

Torch Range

Air-Cooled

TW NO.1	8
TW NO.2	9
TW NO.3	10
TW NO.4	11
TW NO.5	12

Wear Parts

Nozzles	13
Contact Tips	14
Diffusers	15
Liners	16

Rear-End Spare Parts	19
-----------------------------	----

Direct Plug Connector Kits	21
-----------------------------------	----

TWC Mig/Mag Torch Range

Air-Cooled Features Focus

The traditional North American TWC Series developed for high performance in heavy industrial environments.

Air-Cooled

Welding Tools for the Professional

100% Tweco® Compatibility Guaranteed

Quality Wear Parts

All wear parts are manufactured to the same specification as the original manufacturer ensuring reliability, longevity and superior performance

- Contact tips are manufactured from premium grade copper alloys; we don't sacrifice performance by using low end or recycled raw materials
- Standard and high-performance options are available for tip adaptors, diffusers and swan necks
- The correct specification of raw material type, surface finish, tensile strength and the coiling technology utilized to form the liner are all essential elements in achieving the correct manufacture of a liner



Superior Flexibility and Durability

Every detail has been considered to ensure the welder has the very best handling in all positions

- Improved balance and positionability with the addition of a knuckle joint which enables small movements of the handle and neck independently of the cable assembly
- Cable sets offer the ultimate in heat and abrasion resistance, fused by an electron beam process that maximizes flexibility and enhances durability



Tough and Resilient

Glass filled polymers are used to produce tough and resilient handle sets and rear-end housings

- Euro bodies utilize industry standard (thanks to us!) spring pins
- A broad selection of optional rear-end terminations ensure worldwide compatibility

The Smart Way To Buy Welding and Cutting Tools



TWC Mig/Mag Torch Range

Ratings: 125 Amp to 400 Amp, Mixed Gas

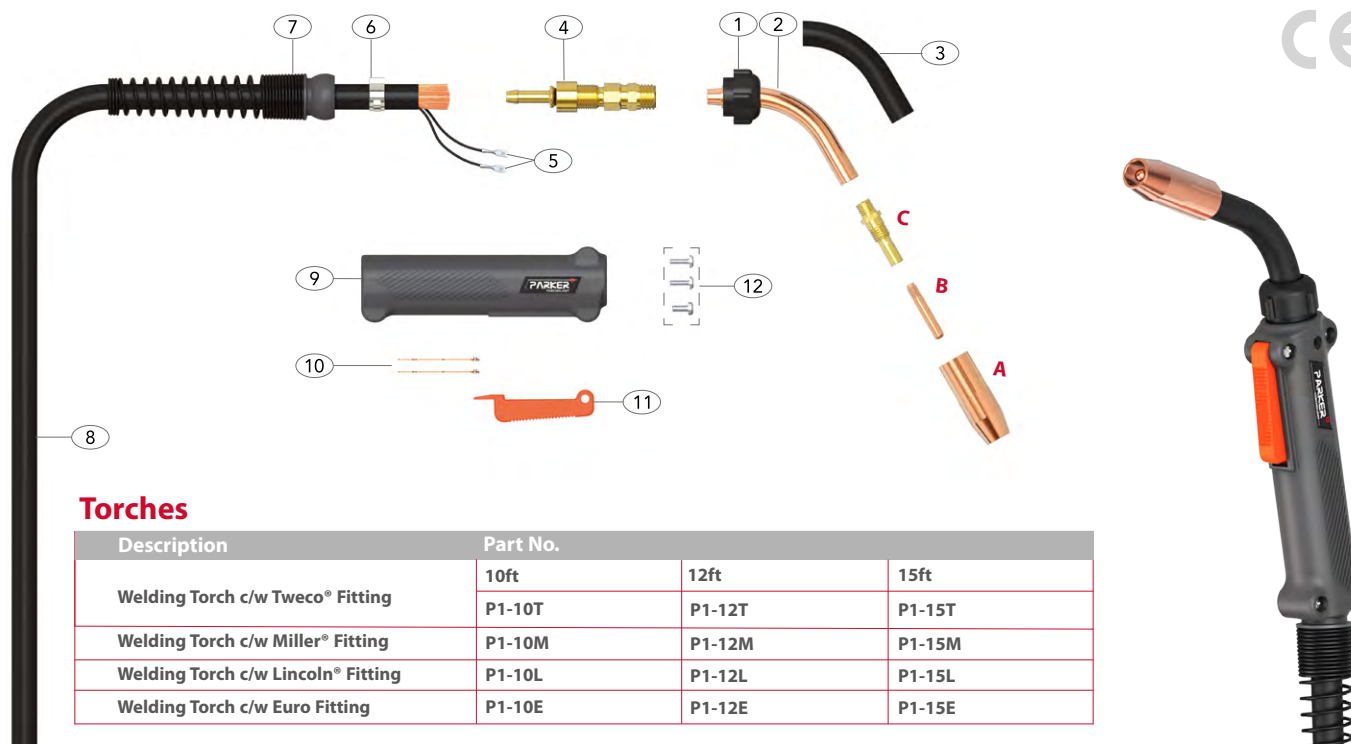


Model	TW NO.1	TW NO.2	TW NO.3	TW NO.4	TW NO.5
Technical Data					
Cooling Method	Air-Cooled	Air-Cooled	Air-Cooled	Air-Cooled	Air-Cooled
Rating: CO ₂	180A	200A	300A	400A	500A
Rating: Mixed Gas	125A	150A	250A	350A	400A
Duty Cycle	60%	60%	60%	60%	60%
Wire Size	0.6-1.2	0.6-1.2	0.8-1.6	0.8-2.0	0.9-2.8
Order Codes					
10ft	P1-10 E/M/T/L	P2-10 E/M/T/L	P3-10 E/M/T/L	P4-10 E/M/T/L	P5-10 E/M/T/L
12ft	P1-12 E/M/T/L	P2-12 E/M/T/L	P3-12 E/M/T/L	P4-12 E/M/T/L	P5-12 E/M/T/L
15ft	P1-15 E/M/T/L	P2-15 E/M/T/L	P3-15 E/M/T/L	P4-15 E/M/T/L	P5-15 E/M/T/L

TW NO.1 Mig/Mag Torch Range

Rating: 180A CO₂, 125A mixed gas, EN60974-7 @ 60% duty cycle. 0.6 to 1.2mm / 0.023-0.045" wires

Air-Cooled Mig Welding Torch



Torches

Description	Part No.		
	10ft	12ft	15ft
Welding Torch c/w Tweco® Fitting	P1-10T	P1-12T	P1-15T
Welding Torch c/w Miller® Fitting	P1-10M	P1-12M	P1-15M
Welding Torch c/w Lincoln® Fitting	P1-10L	P1-12L	P1-15L
Welding Torch c/w Euro Fitting	P1-10E	P1-12E	P1-15E

Wear Parts

A Nozzles

Part No.	Description	Bore	Wall	Material
P21-37	Nozzle Self Insulated	9.5	1.60mm	Copper
*P21-50	Nozzle Self Insulated	12.7	1.60mm	Copper
P21-62	Nozzle Self Insulated	15.9	1.60mm	Copper

B Contact Tips

Part No.	Description	Material	Wire Size	
			mm	inch
P11-23	Contact Tip	Ecu	0.6	0.023
*P11-30	Contact Tip	Ecu	0.8	0.030
P11-35	Contact Tip	Ecu	0.9	0.035
P11-40	Contact Tip	Ecu	1.0	0.040
P11-45	Contact Tip	Ecu	1.2	0.045

C Diffusers

Part No.	Description	Material
*P51	Diffuser	Brass

D Liners

Part No.	Description	Length	Wire Size	
			mm	inch
*PA42-3035-15	Steel Liner x 15ft	4.90mt	0.8-0.9	0.030-0.035
PA42-3035-25	Steel Liner x 25ft	8.10mt	0.8-0.9	0.030-0.035
PA42-4045-15	Steel Liner x 15ft	4.90mt	1.0-1.2	0.040-0.045
PA42-4045-25	Steel Liner x 25ft	8.10mt	1.0-1.2	0.040-0.045

Spare Parts

Part No.	Description
1	P61R Retaining Nut
2	P61-60 Conductor Tube 60"
3	P61-60/R Rubber Insulation Sleeve
4	P101 Cable Connector
5	PB1521 Cable Terminal
6	PB5044 Hose Clamp 18.5mm
7	P141-6S Spring Cable Support Small and Ball Joint
8	P100-10E Duraflex Cable Assembly x 10ft Euro
	P100-12E Duraflex Cable Assembly x 12ft Euro
	P100-15E Duraflex Cable Assembly x 15ft Euro
9	P81 Handle With Screw Kit
10	P91 Switch Blades Kit
11	P91C Trigger Only
12	PB1542 Handle Screw Pack

*All Registered Trademarks listed are the property of their respective manufacturer. Reference to the original manufacturer is for reference only.

*Denotes torch package standard wear part set-up

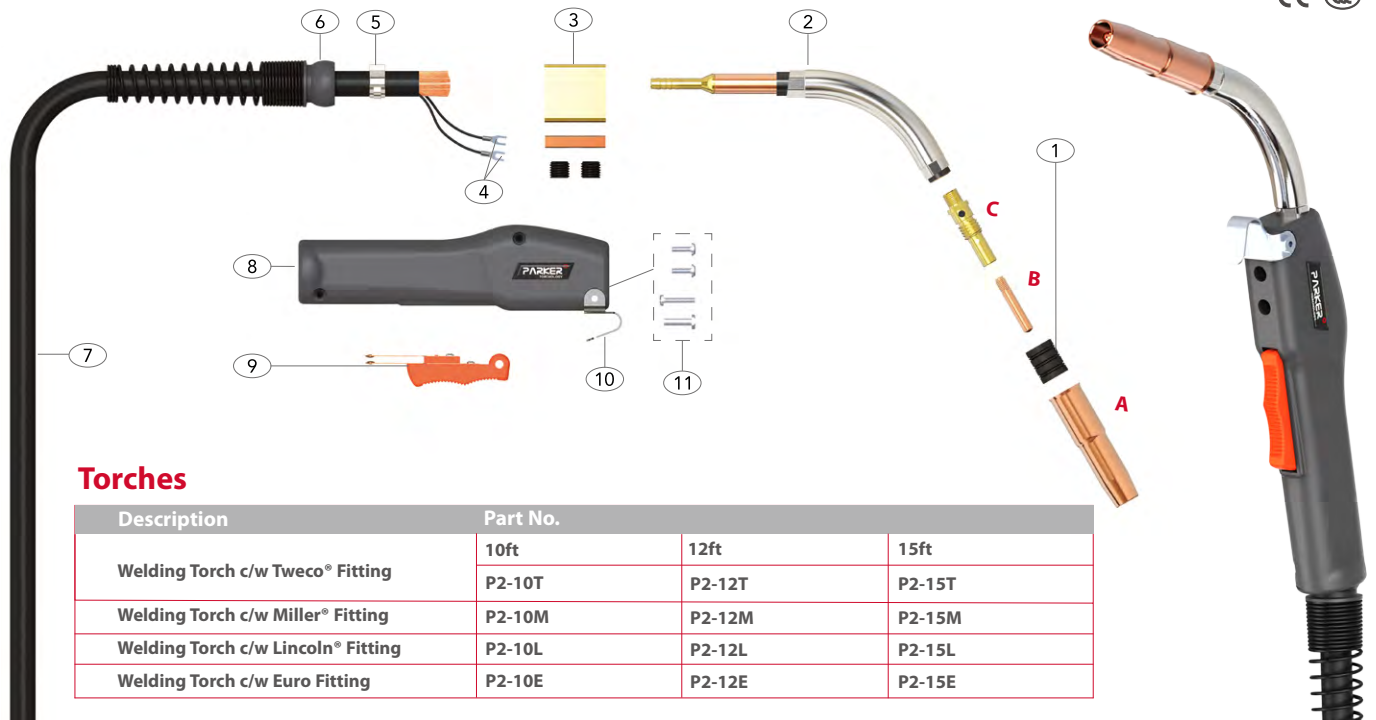
For more information please refer to the following sections:

- Master Wear Parts Table Page 13-18
- Rear-End / Cable Parts Page 19-20

TW NO.2 Mig/Mag Torch Range

Rating: 200A CO₂, 150A mixed gas, EN60974-7 @ 60% duty cycle. 0.6 to 1.2mm / 0.023-0.045" wires
Air-Cooled Mig Welding Torch

PARKER
TORCHOLGY
SMART TORCH SOLUTIONS



Torches

Description	Part No.		
	10ft	12ft	15ft
Welding Torch c/w Tweco® Fitting	P2-10T	P2-12T	P2-15T
Welding Torch c/w Miller® Fitting	P2-10M	P2-12M	P2-15M
Welding Torch c/w Lincoln® Fitting	P2-10L	P2-12L	P2-15L
Welding Torch c/w Euro Fitting	P2-10E	P2-12E	P2-15E

Wear Parts

A Nozzles

Part No.	Description	Bore	Wall	Material
*P22-50	Nozzle Adjustable	12.8	1.25mm	Copper
P22-62	Nozzle Adjustable	16.0	1.25mm	Copper
P23-50	Nozzle Adjustable	12.7	1.60mm	Copper
P23-62	Nozzle Self Insulated	15.9	1.60mm	Copper
P23-75	Nozzle Self Insulated	19.0	1.60mm	Copper
P24CT-50S	Nozzle Fixed Coarse Thread	12.8	1.95mm	Copper
P24CT-62S	Nozzle Fixed Coarse Thread	16.0	1.90mm	Copper
P24CT-75S	Nozzle Fixed Coarse Thread	19.0	2.45mm	Copper
P34CT	Nozzle Insulator Coarse Thread			

B Contact Tips

Part No.	Description	Material	Wire Size	
			mm	inch
P14-23	Contact Tip	Ecu	0.6	0.023
*P14-30	Contact Tip	Ecu	0.8	0.030
P14-40	Contact Tip	Ecu	1.0	0.040
P14-45	Contact Tip	Ecu	1.2	0.045
P14H-30	Contact Tip	Ecu	0.8	0.030
P14H-40	Contact Tip	Ecu	1.0	0.040
P14H-45	Contact Tip	Ecu	1.2	0.045

C Diffusers

	Material
P52	Diffuser Brass

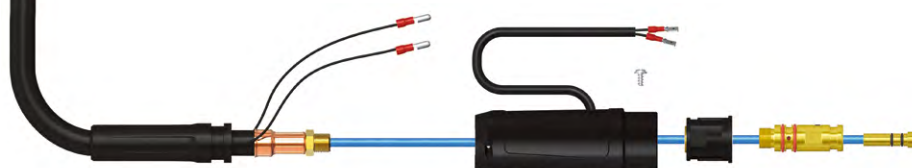
D Liners

Part No.	Description	Length	Wire Size	
			mm	inch
*PA42-3035-15	Steel Liner x 15ft	4.90mt	0.8-0.9	0.030-0.035
PA42-3035-25	Steel Liner x 25ft	8.10mt	0.8-0.9	0.030-0.035
PA42-4045-15	Steel Liner x 15ft	4.90mt	1.0-1.2	0.040-0.045
PA42-4045-25	Steel Liner x 25ft	8.10mt	1.0-1.2	0.040-0.045

Spare Parts

Part No.	Description
1	P32 Adjustable Nozzle Insulator
2	P62J60 Metal Jacket Neck Assembly
3	P102 Block c/w Spacer and Screws
4	P244T Control Wire Terminals
5	PB5044 Hose Clamp 18.5mm
6	P141-6S Spring Cable Support Small and Ball Joint
7	P200-10E Duraflex Cable Assembly x 10ft Euro
	P200-12E Duraflex Cable Assembly x 12ft Euro
	P200-15E Duraflex Cable Assembly x 15ft Euro
8	P83J Handle c/w Hook and Screw Kit
9	P92 Trigger Switch
10	P152 Hanger Hook
11	P122FMS Screw Pack

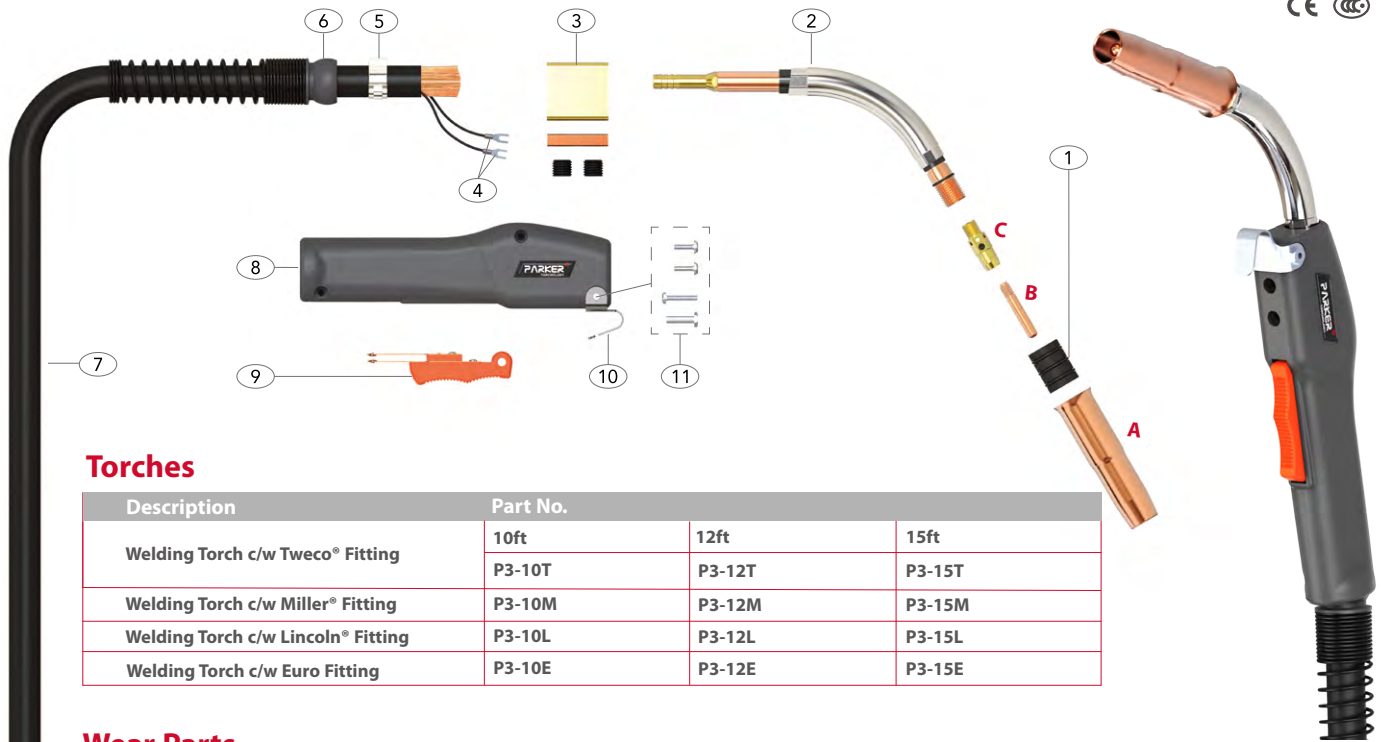
*Denotes torch package standard wear part set-up
For more information please refer to the following sections:
•Master Wear Parts Table Page 13-18
•Rear-End / Cable Parts Page 19-20



TW NO.3 Mig/Mag Torch Range

Rating: 300A CO₂ 250A mixed gas, EN60974-7 @ 60% duty cycle. 0.8 to 1.6mm / 0.030-1/16" wires

Air-Cooled Mig Welding Torch



Torches

Description	Part No.		
	10ft	12ft	15ft
Welding Torch c/w Tweco® Fitting	P3-10T	P3-12T	P3-15T
Welding Torch c/w Miller® Fitting	P3-10M	P3-12M	P3-15M
Welding Torch c/w Lincoln® Fitting	P3-10L	P3-12L	P3-15L
Welding Torch c/w Euro Fitting	P3-10E	P3-12E	P3-15E

Wear Parts

A Nozzles

Part No.	Description	Bore	Wall	Material
P23-50	Nozzle Self Insulated	12.7	1.60mm	Copper
P23-62	Nozzle Self Insulated	15.9	1.60mm	Copper
P23-75	Nozzle Self Insulated	19.0	1.60mm	Copper
P24A-50	Nozzle Adjustable	12.8	1.25mm	Copper
*P24A-62	Nozzle Adjustable	16.0	1.25mm	Copper
P24A-75	Nozzle Adjustable	19.0	1.25mm	Copper
P24CT-50S	Nozzle Fixed Coarse Thread	12.8	1.95mm	Copper
P24CT-62S	Nozzle Fixed Coarse Thread	16.0	1.90mm	Copper
P24CT-75S	Nozzle Fixed Coarse Thread	19.0	2.45mm	Copper
P34CT	Nozzle Insulator Coarse Thread			

B Contact Tips

Part No.	Description	Material	Wire Size	
			mm	inch
P14-30	Contact Tip	Ecu	0.8	0.030
*P14-40	Contact Tip	Ecu	1.0	0.040
P14-45	Contact Tip	Ecu	1.2	0.045
P14-116	Contact Tip	Ecu	1.6	1/16"
P14H-30	Contact Tip	Ecu	0.8	0.030
P14H-35	Contact Tip	Ecu	0.9	0.035
P14H-40	Contact Tip	Ecu	1.0	0.040
P14H-45	Contact Tip	Ecu	1.2	0.045
P14H-116	Contact Tip	Ecu	1.6	1/16"

C Diffusers

Part No.	Description	Material
*P54A	Diffuser	Brass

D Liners

Part No.	Description	Length	Wire Size	
			mm	inch
*PA44-3545-15	Steel Liner x 15ft	4.90mt	0.9-1.2	0.035-0.045
PA44-3545-25	Steel Liner x 25ft	8.10mt	0.9-1.2	0.035-0.045
PA44-116-25	Steel Liner x 25ft	8.10mt	1.6	1/16"
P44N-116-25	Steel Liner x 25ft	8.10mt	1.6	1/16"

Spare Parts

Part No.	Description
1	P34A Adjustable Nozzle Insulator
2	P63J60 Metal Jacket Neck Assembly
3	P102 Block c/w Spacer and Screws
4	P244T Control Wire Terminals
5	P132-12 Cable Hose Clamp
6	PT8018S Spring Cable Support Middle and Ball Joint
7	P300-10E Duraflex Cable Assembly x 10ft Euro
	P300-12E Duraflex Cable Assembly x 12ft Euro
	P300-15E Duraflex Cable Assembly x 15ft Euro
8	P83J Handle c/w Hook and Screw Kit
9	P92 Trigger Switch
10	P152 Hanger Hook
11	P122FMS Screw Pack

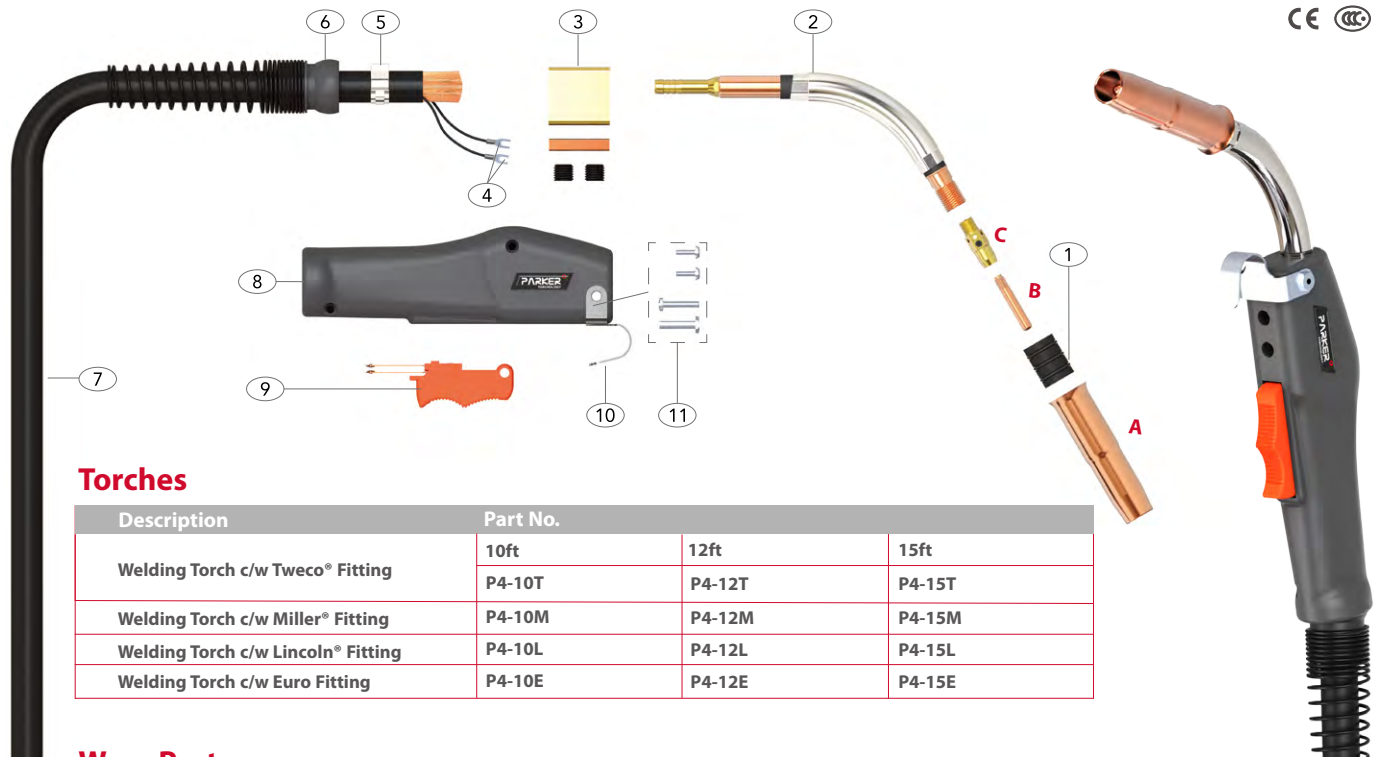
*Denotes torch package standard wear part set-up

For more information please refer to the following sections:

- Master Wear Parts Table Page 13-18
- Rear-End / Cable Parts Page 19-20

TW NO.4 Mig/Mag Torch Range

Rating: 400A CO₂, 350A mixed gas, EN60974-7 @ 60% duty cycle. 0.8 to 2.0mm / 0.030-5/64" wires
Air-Cooled Mig Welding Torch



Torches

Description	Part No.		
	10ft	12ft	15ft
Welding Torch c/w Tweco® Fitting	P4-10T	P4-12T	P4-15T
Welding Torch c/w Miller® Fitting	P4-10M	P4-12M	P4-15M
Welding Torch c/w Lincoln® Fitting	P4-10L	P4-12L	P4-15L
Welding Torch c/w Euro Fitting	P4-10E	P4-12E	P4-15E

Wear Parts

A Nozzles

Part No.	Description	Bore	Wall	Material
P24A-50	Nozzle Adjustable	12.8	1.60mm	Copper
*P24A-62	Nozzle Adjustable	16.0	1.60mm	Copper
P24A-75	Nozzle Adjustable	19.0	1.60mm	Copper
P24AH-50	Nozzle Heavy Duty	12.8	2.25mm	Copper
P24AH-62	Nozzle Heavy Duty	16.0	2.25mm	Copper
P24AH-75	Nozzle Heavy Duty	19.0	2.25mm	Copper
P24CT-50S	Nozzle Fixed Coarse Thread	12.8	1.95mm	Copper
P24CT-62S	Nozzle Fixed Coarse Thread	16.0	1.90mm	Copper
P24CT-75S	Nozzle Fixed Coarse Thread	19.0	2.45mm	Copper
P34CT	Nozzle Insulator Coarse Thread			

B Contact Tips

Part No.	Description	Material	Wire Size	
			mm	inch
P14-30	Contact Tip	Ecu	0.8	0.030
P14-40	Contact Tip	Ecu	1.0	0.040
*P14-45	Contact Tip	Ecu	1.2	0.045
P14-116	Contact Tip	Ecu	1.6	1/16"
P14-564	Contact Tip	Ecu	2.0	5/64"
P14H-30	Contact Tip	Ecu	0.8	0.030
P14H-40	Contact Tip	Ecu	1.0	0.040
P14H-45	Contact Tip	Ecu	1.2	0.045
P14H-116	Contact Tip	Ecu	1.6	1/16"
P14H-564	Contact Tip	Ecu	2.0	5/64"

C Diffusers

Part No.	Description	Material
*P54A	Diffuser	Brass

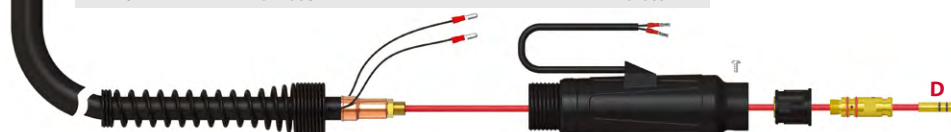
D Liners

Part No.	Description	Length	Wire Size	
			mm	inch
*PA44-3545-15	Steel Liner x 15ft	8.10mt	0.9-1.2	0.035-0.045
PA44-116-15	Steel Liner x 15ft	4.90mt	1.6	1/16"
P44N-116-15	Steel Liner x 15ft	4.90mt	1.6	1/16"

Spare Parts

Part No.	Description
1	P34A Adjustable Nozzle Insulator
2	P64J60 Metal Jacket Neck Assembly
3	P104 Connection Block c/w Spacer
4	P244T Control Wire Terminals
5	P132-12 Cable Hose Clamp
6	PBE8018 Spring Cable Support and Ball Joint
7	P400-10E Duraflex Cable Assembly x 10ft Euro
	P400-12E Duraflex Cable Assembly x 12ft Euro
	P400-15E Duraflex Cable Assembly x 15ft Euro
8	P84J Handle c/w Hook and Screw Kit
9	P94R Trigger Switch
10	PT154 Hanger Hook
11	P124FMS Screw Pack

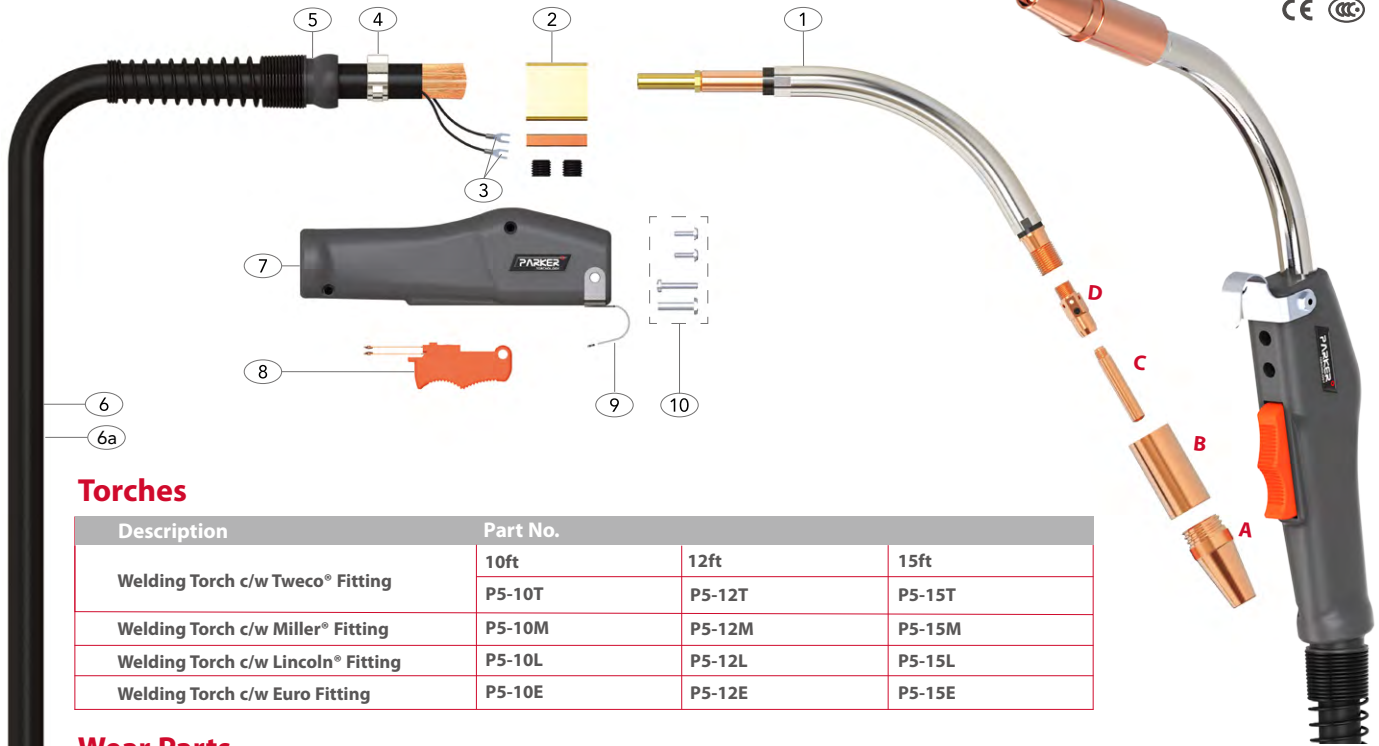
*Denotes torch package standard wear part set-up
For more information please refer to the following sections:
•Master Wear Parts Table Page 13-18
•Rear-End / Cable Parts Page 19-20



TWC NO.5 Mig/Mag Torch Range

Rating: 500A CO₂ 400A mixed gas, EN60974-7 @ 60% duty cycle. 0.9 to 2.8mm / 0.035-7/64" wires

Air-Cooled Mig Welding Torch



Torches

Description	Part No.		
	10ft	12ft	15ft
Welding Torch c/w Tweco® Fitting	P5-10T	P5-12T	P5-15T
Welding Torch c/w Miller® Fitting	P5-10M	P5-12M	P5-15M
Welding Torch c/w Lincoln® Fitting	P5-10L	P5-12L	P5-15L
Welding Torch c/w Euro Fitting	P5-10E	P5-12E	P5-15E

Wear Parts

A Nozzle

Part No.	Description	Bore	Wall	Material
P25CT-50	Nozzle Fixed Coarse Thread	12.8	1.60mm	Copper
*P25CT-62	Nozzle Fixed Coarse Thread	16.0	1.95mm	Copper
P25CT-75	Nozzle Fixed Coarse Thread	19.0	2.45mm	Copper

B Nozzle Insulators

Part No.	Description	Bore	Wall	Material
*P35CT	Nozzle Insulator Coarse Thread	19.0	2.45mm	Copper

C Contact Tips

Part No.	Description	Material	Wire Size	
			mm	inch
P15H-35	Contact Tip	Ecu	0.9	0.035
P15H-40	Contact Tip	Ecu	1.0	0.040
P15H-45	Contact Tip	Ecu	1.2	0.045
P15H-52	Contact Tip	Ecu	1.3	0.052
*P15H-116	Contact Tip	Ecu	1.6	1/16"

E Liners

Part No.	Description	Length	Wire Size	
			mm	inch
PA44-3545-15	Steel Liner x 15ft	4.90mt	0.9-1.2	0.035-0.045
PA44-3545-25	Steel Liner x 25ft	8.10mt	0.9-1.2	0.035-0.045
PA45-3545-15	Steel Liner x 15ft	4.90mt	0.9-1.2	0.035-0.045
PA45-3545-25	Steel Liner x 25ft	8.10mt	0.9-1.2	0.035-0.045
*PA44-116-15	Steel Liner x 15ft	4.90mt	1.6mm	1/16"
PA44-116-25	Steel Liner x 25ft	8.10mt	1.6mm	1/16"
PA45-116-15	Steel Liner x 15ft	4.90mt	1.6mm	1/16"
PA45-116-15	Steel Liner x 25ft	8.10mt	1.6mm	1/16"

D Diffusers

Part No.	Description	Material
P55	Diffuser	Copper
P55H	Diffuser	Copper
*P55SW	Diffuser	Copper

Spare Parts

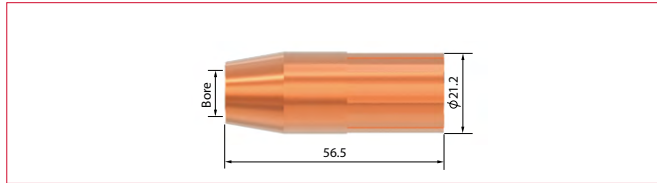
Part No.	Description
1	P65J60 Metal Jacket Neck Assembly
2	P104 Connection Block c/w Spacer
3	P244T Control Wire Terminals
4	P134-14 Cable Hose Clamp
5	PBE8018 Spring Cable Support and Ball Joint
6	P500-10E Duraflex Cable Assembly x 10ft Euro
	P500-12E Duraflex Cable Assembly x 12ft Euro
	P500-15E Duraflex Cable Assembly x 15ft Euro
6a	P500-10T Cable Assembly x 10ft Tweco®
	P500-12T Cable Assembly x 12ft Tweco®
	P500-15T Cable Assembly x 15ft Tweco®
7	P85J Handle c/w Hook and Screw Kit
8	P94R Trigger Switch
9	PT154 Hanger Hook
10	P124FMS Screw Pack

*Denotes torch package standard wear part set-up
For more information please refer to the following sections:
•Master Wear Parts Table Page 13-18
•Rear-End / Cable Parts Page 19-20

Nozzles

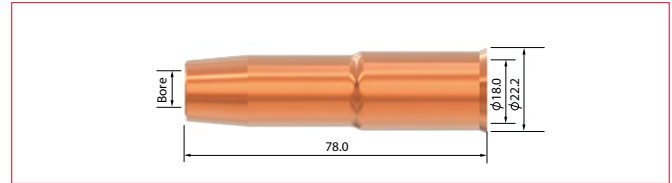
TWC NO.1

Part No.	Description	Bore	Wall	Material
P21-37	Nozzle Self Insulated	9.5	1.60mm	Copper
*P21-50	Nozzle Self Insulated	12.7	1.60mm	Copper
P21-62	Nozzle Self Insulated	15.9	1.60mm	Copper



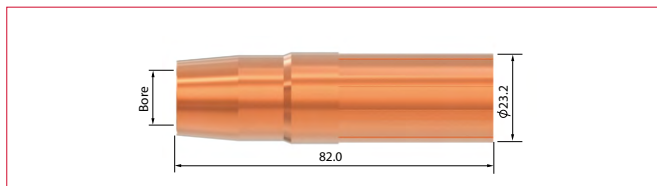
TWC NO.2

Part No.	Description	Bore	Wall	Material
*P22-50	Nozzle Adjustable	12.8	1.25mm	Copper
P22-62	Nozzle Adjustable	16.0	1.25mm	Copper



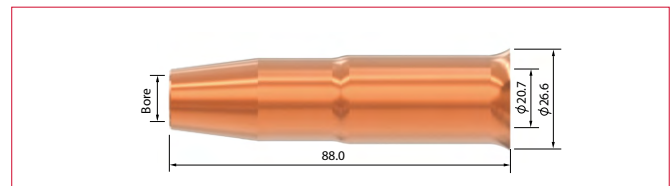
TWC NO.2/NO.3

Part No.	Description	Bore	Wall	Material
P23-50	Nozzle Self Insulated	12.7	1.60mm	Copper
P23-62	Nozzle Self Insulated	15.9	1.60mm	Copper
P23-75	Nozzle Self Insulated	19.0	1.60mm	Copper



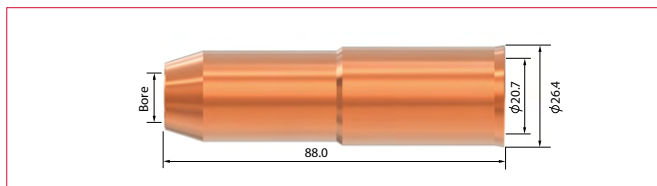
TWC NO.3/NO.4

Part No.	Description	Bore	Wall	Material
P24A-50	Nozzle Adjustable	12.8	1.25mm	Copper
*P24A-62	Nozzle Adjustable	16.0	1.25mm	Copper
P24A-75	Nozzle Adjustable	19.0	1.25mm	Copper



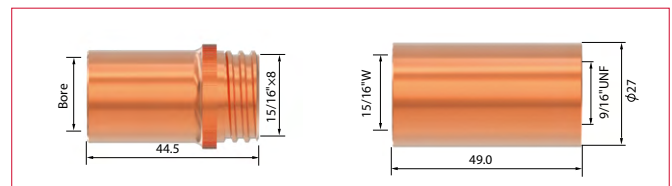
TWC NO.4

Part No.	Description	Bore	Wall	Material
P24AH-50	Nozzle Heavy Duty	12.8	2.25mm	Copper
P24AH-62	Nozzle Heavy Duty	16.0	2.25mm	Copper
P24AH-75	Nozzle Heavy Duty	19.0	2.25mm	Copper



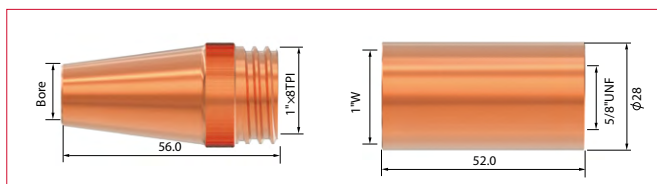
TWC NO.2/NO.3/NO.4

Part No.	Description	Bore	Wall	Material
P24CT-50S	Nozzle Fixed Coarse Thread	12.8	1.95mm	Copper
P24CT-62S	Nozzle Fixed Coarse Thread	16.0	1.90mm	Copper
P24CT-75S	Nozzle Fixed Coarse Thread	19.0	2.45mm	Copper
P34CT	Nozzle Insulator Coarse Thread			



TWC NO.5

Part No.	Description	Bore	Wall	Material
P25CT-50	Nozzle Fixed Coarse Thread	12.8	1.6mm	Copper
*P25CT-62	Nozzle Fixed Coarse Thread	16.0	1.95mm	Copper
P25CT-75	Nozzle Fixed Coarse Thread	19.0	2.45mm	Copper
*P35CT	Nozzle Insulator Coarse Thread			

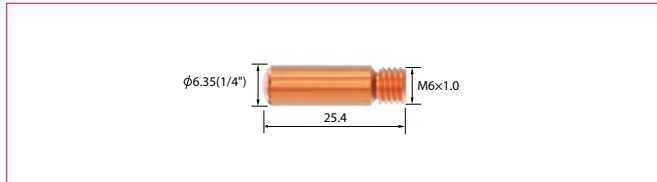


* Denotes torch package standard wear part set-up

Contact Tips

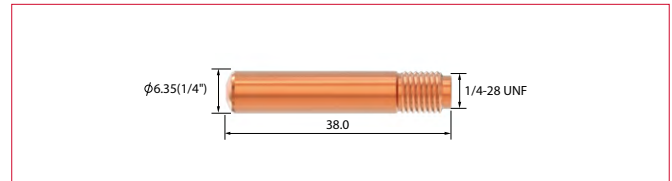
TWC NO.1

Part No.	Description	Wire Size		Material
		mm	inch	
P11-23	Contact Tip	0.6	0.023	Ecu
*P11-30	Contact Tip	0.8	0.030	Ecu
P11-35	Contact Tip	0.9	0.035	Ecu
P11-40	Contact Tip	1.0	0.040	Ecu
P11-45	Contact Tip	1.2	0.045	Ecu



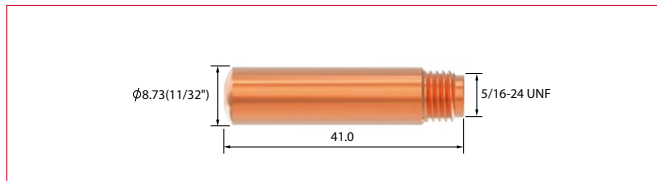
TWC NO.2/NO.3/NO.4

Part No.	Description	Wire Size		Material
		mm	inch	
P14-23	Contact Tip	0.6	0.023	Ecu
*P14-30	Contact Tip	0.8	0.030	Ecu
P14-35	Contact Tip	0.9	0.035	Ecu
*P14-40	Contact Tip	1.0	0.040	Ecu
*P14-45	Contact Tip	1.2	0.045	Ecu
P14-52	Contact Tip	1.3	0.052	Ecu
P14-116	Contact Tip	1.6	1/16"	Ecu
P14-564	Contact Tip	2.0	5/64"	Ecu

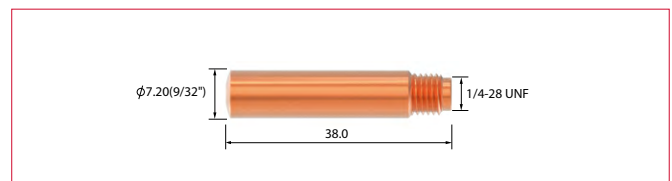


TWC NO.5

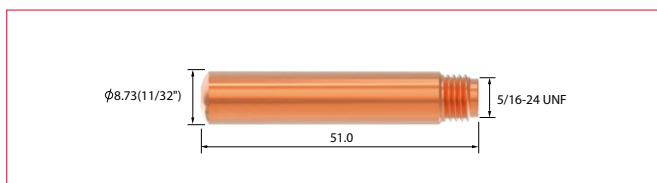
Part No.	Description	Wire Size		Material
		mm	inch	
P15HFC-40	Contact Tip	1.0	0.040	Ecu
P15HFC-45	Contact Tip	1.2	0.045	Ecu
P15HFC-52	Contact Tip	1.3	0.052	Ecu
P15HFC-116	Contact Tip	1.6	1/16"	Ecu
P15HFC-332	Contact Tip	2.4	3/32"	Ecu
P15HFC-564	Contact Tip	2.0	5/64"	Ecu



P14H-30	Contact Tip	0.8	0.030	Ecu
P14H-35	Contact Tip	0.9	0.035	Ecu
P14H-40	Contact Tip	1.0	0.040	Ecu
P14H-45	Contact Tip	1.2	0.045	Ecu
P14H-52	Contact Tip	1.3	0.052	Ecu
P14H-116	Contact Tip	1.6	1/16"	Ecu
P14H-564	Contact Tip	2.0	5/64"	Ecu



P15H-30	Contact Tip	0.8	0.030	Ecu
P15H-35	Contact Tip	0.9	0.035	Ecu
P15H-40	Contact Tip	1.0	0.040	Ecu
P15H-45	Contact Tip	1.2	0.045	Ecu
P15H-52	Contact Tip	1.3	0.052	Ecu
*P15H-116	Contact Tip	1.6	1/16"	Ecu
P15H-332	Contact Tip	2.4	3/32"	Ecu
P15H-564	Contact Tip	2.0	5/64"	Ecu

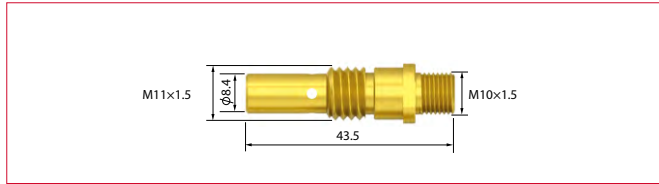


* Denotes torch package standard wear part set-up

Diffuser

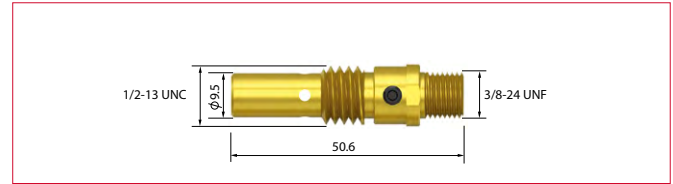
TWC NO.1

Part No.	Description	Material
*P51	Diffuser	Brass



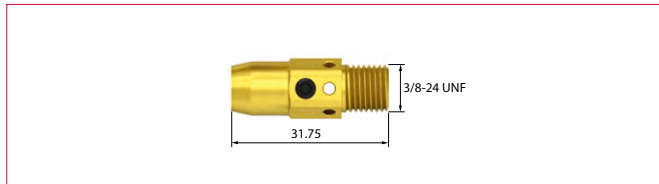
TWC NO.2

Part No.	Description	Material
*P52	Diffuser	Brass



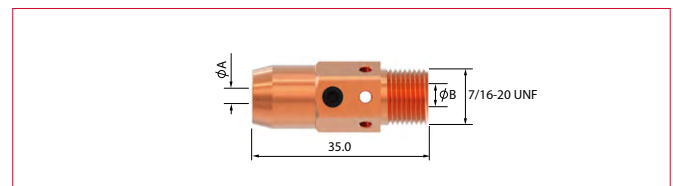
TWC NO.3/NO.4

Part No.	Description	Material
*P54A	Diffuser	Brass



TWC NO.5

Part No.	Description	Bore	Material
P55	Diffuser	φA3.5 φB6.0	Copper
P55H	Diffuser	φA4.0 φB7.0	Copper
*P55SW	Diffuser	φA3.5 φB5.0	Copper



* Denotes torch package standard wear part set-up

Liner Options 0.8-0.9mm

TWC NO.1/NO.2

Part No.	Description	Length	Nipple	Wire Size	
				mm	inch
*PA42-3035-15	Steel Liner x 15ft	4.90mt	Brass Nipple	0.8-0.9	0.030-0.035
PA42-3035-25	Steel Liner x 25ft	8.10mt	Brass Nipple	0.8-0.9	0.030-0.035



Liner Options 0.9-1.2mm

TWC NO.1/NO.2

Part No.	Description	Length	Nipple	Wire Size	
				mm	inch
PA42-4045-15	Steel Liner x 15ft	4.90mt	Brass Nipple	1.0-1.2	0.040-0.045
PA42-4045-25	Steel Liner x 25ft	8.10mt	Brass Nipple	1.0-1.2	0.040-0.045



P42N-4045-15	Polyamide Liner x 15ft	4.90mt	Brass Nipple	1.0-1.2	0.040-0.045
P42N-4045-25	Polyamide Liner x 25ft	8.10mt	Brass Nipple	1.0-1.2	0.040-0.045



TWC NO.3/NO.4/NO.5

Part No.	Description	Length	Nipple	Wire Size	
				mm	inch
*PA44-3545-15	Steel Liner x 15ft	4.90mt	Brass Nipple	0.9-1.2	0.035-0.045
PA44-3545-25	Steel Liner x 25ft	8.10mt	Brass Nipple	0.9-1.2	0.035-0.045



TWC NO.5

Part No.	Description	Length	Nipple	Wire Size	
				mm	inch
PA45-3545-15	Steel Liner x 15ft	4.90mt	Brass Nipple	0.9-1.2	0.035-0.045
PA45-3545-25	Steel Liner x 25ft	8.10mt	Brass Nipple	0.9-1.2	0.035-0.045



* Denotes torch package standard wear part set-up

Liner Options 1.6mm

TWC NO.3/NO.4/NO.5

Part No.	Description	Length	Nipple	Wire Size	
				mm	inch
*PA44-116-15	Steel Liner x 15ft	4.90mt	Brass Nipple	1.6	1/16"
PA44-116-25	Steel Liner x 25ft	8.10mt	Brass Nipple	1.6	1/16"



P44N-116-15	Polyamide Liner x 15ft	4.90mt	Brass Nipple	1.6	1/16"
P44N-116-25	Polyamide Liner x 25ft	8.10mt	Brass Nipple	1.6	1/16"



TWC NO.5

Part No.	Description	Length	Nipple	Wire Size	
				mm	inch
PA45-116-15	Steel Liner x 15ft	4.90mt	Brass Nipple	1.6	1/16"
PA45-116-25	Steel Liner x 25ft	8.10mt	Brass Nipple	1.6	1/16"



* Denotes torch package standard wear part set-up

Liner Options 2.0-2.4mm

TWC NO.4/NO.5

Part No.	Description	Length	Nipple	Wire Size	
				mm	Inch
PA44-564-15	Steel Liner x 15ft	4.90mt	Brass Nipple	2.0	5/64"
PA44-564-25	Steel Liner x 25ft	8.10mt	Brass Nipple	2.0	5/64"



TWC NO.5

Part No.	Description	Length	Nipple	Wire Size	
				mm	Inch
PA45-564-15	Steel Liner x 15ft	4.90mt	Brass Nipple	2.0	5/64"
PA45-564-25	Steel Liner x 25ft	8.10mt	Brass Nipple	2.0	5/64"



TWC NO.5

Part No.	Description	Length	Nipple	Wire Size	
				mm	Inch
PA45-332-15	Steel Liner x 15ft	4.90mt	Brass Nipple	2.4	3/32"
PA45-332-25	Steel Liner x 25ft	8.10mt	Brass Nipple	2.4	3/32"

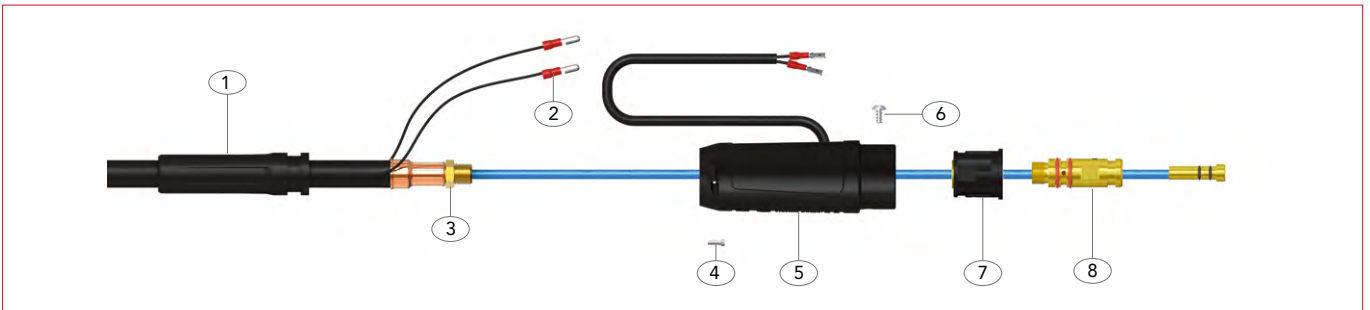


* Denotes torch package standard wear part set-up

Tweco® Termination

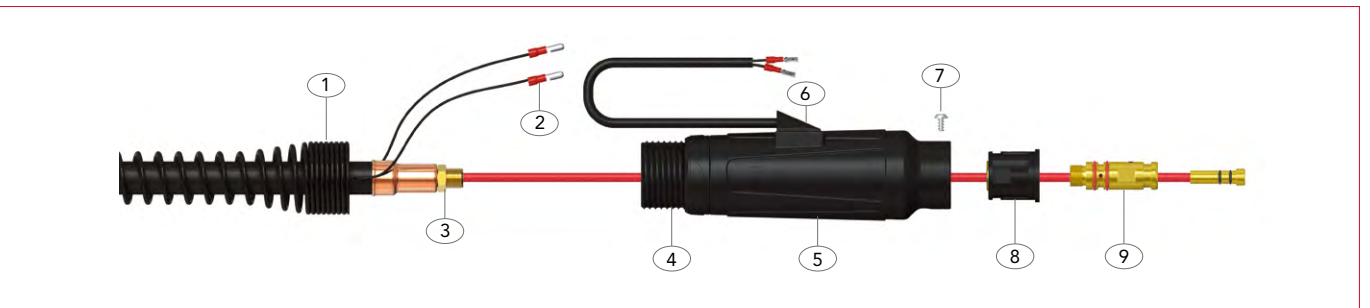
TW No.1/No.2

Part No.	Description
1 PC2841	Cable Support
2 PB1522	Cable Terminal Male
3 PXL1542	Cable End Lock Nut (M12 X 1.0)
4 SCSP1-1	Gun Plug Housing Screw
5 SC2578H/S	Gun Plug Housing
6 PBL1541	Gun Plug Screw
7 PECEM1575/2	Hybrid Plug Body TWC 1-4
8 PECET1575/1	Tweco® 1-4 Power Pin



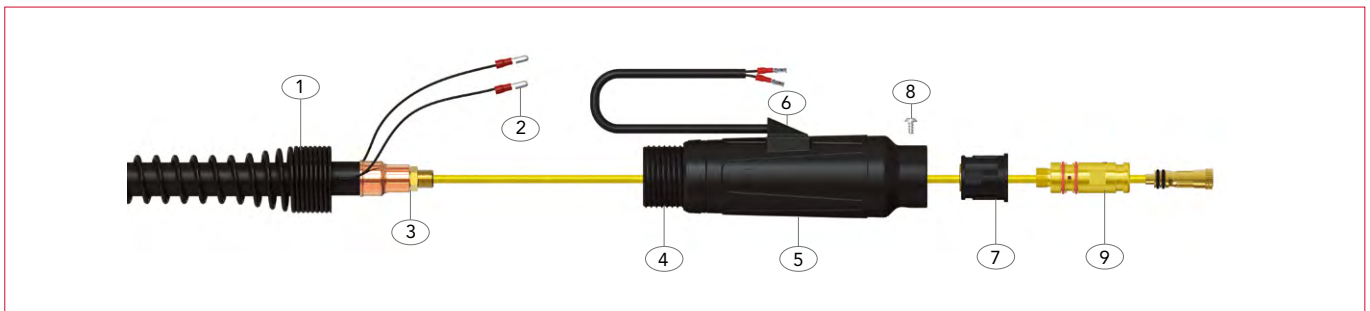
TW No.3/No.4

Part No.	Description
1 PC8026	Spring Cable Support
2 PB1522	Cable Terminal Male
3 PXL1542	Cable End Lock Nut (M12 X 1.0)
4 PT8028	Spring Cable Support Nut
5 PT5022	Gun Plug Housing Assembly
6 SC8017	Large Housing Wire Cover
7 PBL1541	Gun Plug Screw
8 PECEM1575/2	Hybrid Plug Body TWC 1-4
9 PECET1575/1	Tweco® 1-4 Power Pin



TW No.5

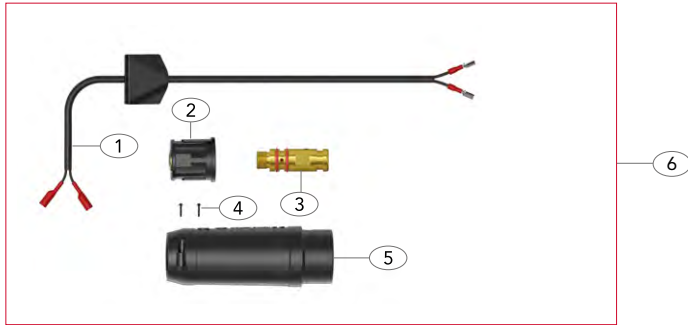
Part No.	Description
1 PC8026	Spring Cable Support
2 PB1522	Cable Terminal Male
3 PXL1543	Cable End Lock Nut (M14 X 1.0)
4 PT8028	Spring Cable Support Nut
5 PT5022	Gun Plug Housing Assembly
6 SC8017	Large Housing Wire Cover
7 PECM1576/2	Hybrid Plug Body TWC 5
8 PBL1541	Gun Plug Screw
9 PECET1576/1	Tweco® 5 Power Pin



TWC Mig/Mag Torch Range

Direct Plug Connector Kits

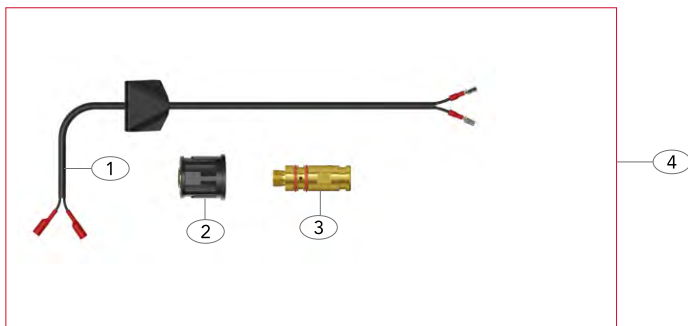
Tweco® 1-4



Direct Plug Connector

Part No.	Description
1	PECEL1575/SW/C Switch Wire Assembly
2	PECEM1575/2 Hybrid Plug Body TWC 1-4
3	PECEM1575/1 Tweco® 1-4 Power Pin
4	SCSP1-1 Gun Plug Housing Screw
5	SC2578H/S Gun Plug Housing
6	PECEM1575E Tweco® Rear End Kit

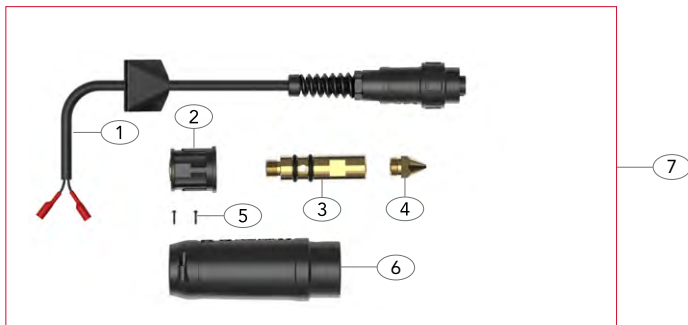
Tweco® 5



Direct Plug Connector

Part No.	Description
1	PECEL1575/SW/C Switch Wire Assembly
2	PECEM1576/2 Hybrid Plug Body TWC 5
3	PECEM1576/1 Tweco® 5 Power Pin
4	PECEM1576E Tweco® Rear End Kit

Miller® TWC 1-4



Direct Plug Connector

Part No.	Description
1	PECEM1575/SW/C Miller® Plug Assembly
2	PECEM1575/2 Hybrid Plug Body TWC 1-4
3	PECEM1575/1 Miller® Power Pin
4 *	PML1570 Wire Guide 0.35" - 1/16"
	PML1571 Wire Guide 5/16" - 3/32"
5	SCSP1-1 Gun Plug Housing Screw
6	SC2578H/S Gun Plug Housing
7	PECEM1575E Miller® Rear End Kit

Miller® TWC 5



Direct Plug Connector

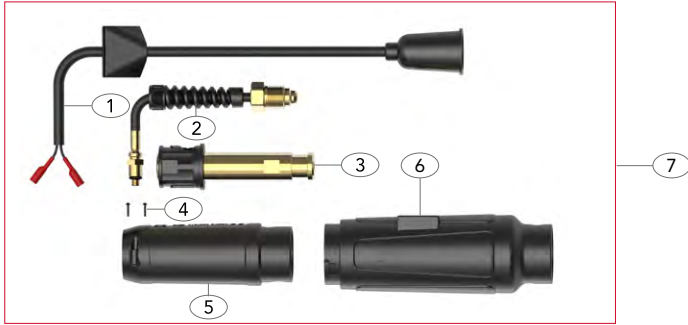
Part No.	Description
1	PECEM1575/SW/C Miller® Plug Assembly
2	PECEM1576/2 Hybrid Plug Body TWC 5
3	PECEM1576/1 Miller® Power Pin
4	PECEM1576E Miller® Rear End Kit

* Denotes torch package standard wear part set-up

TWC Mig/Mag Torch Range

Direct Plug Connector Kits

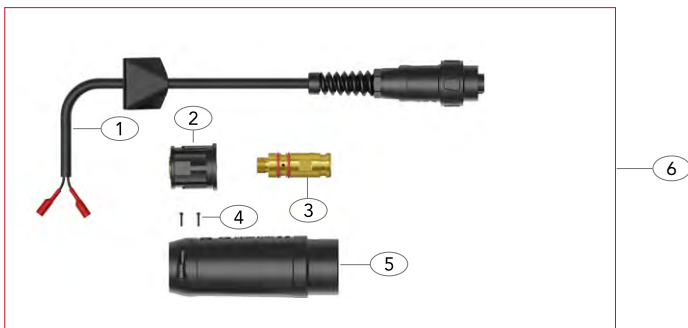
Lincoln® TWC 1-4



Direct Plug Connector

Part No.	Description
1	PM16725/C Lincoln® Plug Assembly
2	PECEL1575/G Lincoln® Gas Tube Assembly
3	PECEL1575 Lincoln® Power Pin
4	SCSP1-1 Gun Plug Housing Screw
5	SC2578HL/S Gun Plug Housing Assembly Lincoln®
6	PT5022/L Gun Plug Housing Assembly Lincoln®
7	PECEL1575E Lincoln® Rear End Kit

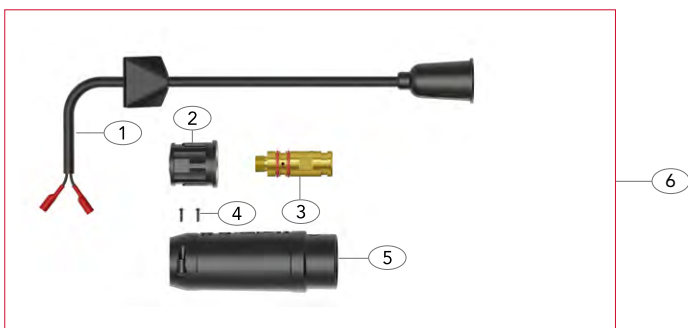
LPW - TWC 1-4



Direct Plug Connector

Part No.	Description
1	PECEM1575/SW/C Miller® Plug Assembly
2	PECEM1575/2 Hybrid Plug Body TWC 1-4
3	PECEM1575/1 Tweco® 1-4 Power Pin
4	SCSP1-1 Gun Plug Housing Screw
5	SC2578H/S Gun Plug Housing
6	PECELPW1575E LPW Rear End Kit

LPB - TWC 1-4



Direct Plug Connector

Part No.	Description
1	PM16725/C Lincoln® Plug Assembly
2	PECEM1575/2 Hybrid Plug Body TWC 1-4
3	PECEM1575/1 Tweco® 1-4 Power Pin
4	SCSP1-1 Gun Plug Housing Screw
5	SC2578H/S Gun Plug Housing
6	PECELPB1575E LPB Rear End Kit



POWERWELD

INDIANA

PowerWeld Corporation

2501 Beech Street
Valparaiso, Indiana 46383, U.S.A.
Telephone: (800)826-9073
Facsimile: (888) 684-3759

Local Numbers

Telephone: (219)462-8700
Facsimile: (219) 462-2424
www.powerweldinc.com
sales@powerweldinc.com

TEXAS

PowerWeld Corporation

602 E. Avenue K,
Grand Prairie, Texas 75050, U.S.A.
Telephone: (855)780-9353(weld)
Facsimile: (855)785-9353(weld)

Local Numbers

Telephone: (972)641-9353(weld)
Facsimile: (972)641-9354
www.powerweldinc.com
sales@powerweldinc.com

ONTARIO

Techniweld Corporation

2300 Winston Park Drive
Oakville, Ontario, L6H 7T7 Canada
Telephone: 1-800-268-4833
Facsimile: 1-800-463-0790

Local Numbers

Phone: (905)829-8780
Fax: (905)829-5660
www.techniweld.com
sales@techniweld.com

ALBERTA

Techniweld Corporation

9637A 45th Avenue
Edmonton, Alberta, T6E 5Z8 Canada
Telephone: 1-800-661-9880
Facsimile: 1-800-635-3185

Local Numbers

Phone: (780)434-1117
Fax: (780)434-1188
www.techniweld.com
sales@techniweld.com

