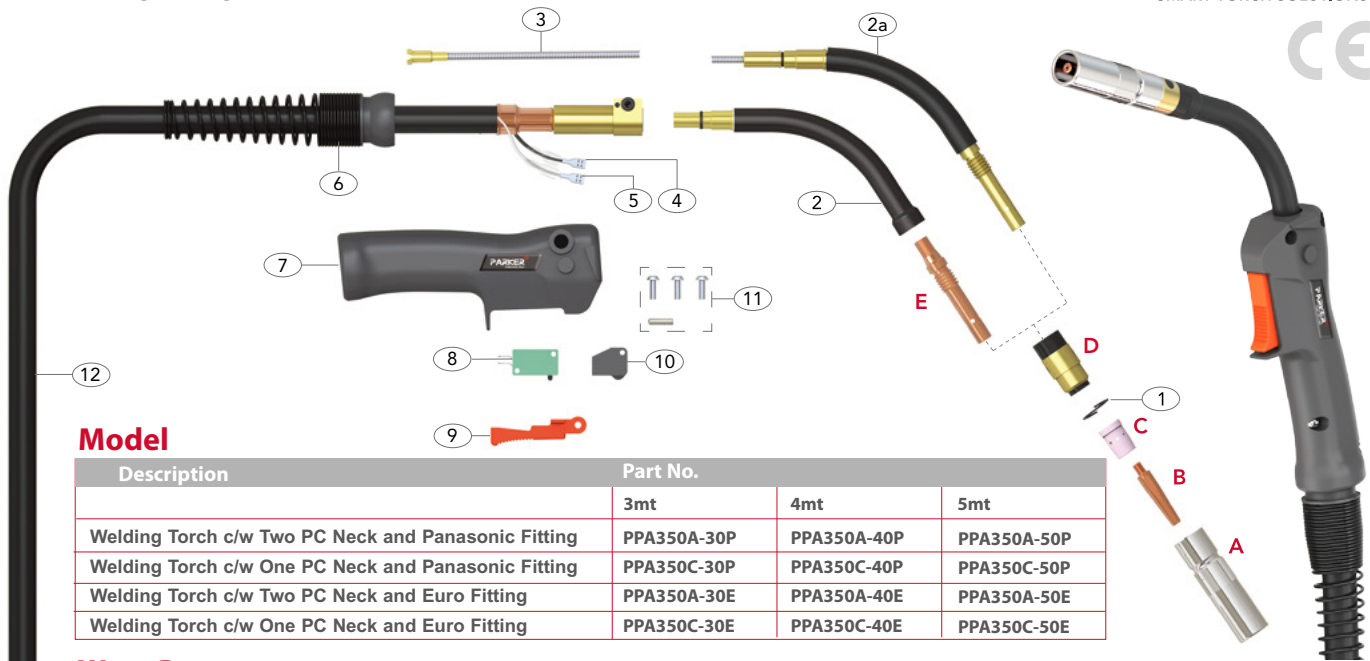


PN 350A Mig/Mag Torch Range

Rating: 350A CO₂, 300A mixed gas, EN60974-7 @ 60% duty cycle. 1.0 to 1.4mm wires
Air-Cooled Mig Welding Torch



Model

Description	Part No.		
	3mt	4mt	5mt
Welding Torch c/w Two PC Neck and Panasonic Fitting	PPA350A-30P	PPA350A-40P	PPA350A-50P
Welding Torch c/w One PC Neck and Panasonic Fitting	PPA350C-30P	PPA350C-40P	PPA350C-50P
Welding Torch c/w Two PC Neck and Euro Fitting	PPA350A-30E	PPA350A-40E	PPA350A-50E
Welding Torch c/w One PC Neck and Euro Fitting	PPA350C-30E	PPA350C-40E	PPA350C-50E

Wear Parts

A Nozzles

Part No.	Description	Bore	Wall	Material
* PPA3529	Nozzle Cylindrical	16.0	2.50mm	Copper

B Contact Tips

Part No.	Description	Material	Wire Size	
			mm	Inch
PJ45/1.0	Contact Tip	CuCrZr	1.0	0.040
* PJ45/1.2	Contact Tip	CuCrZr	1.2	0.045
PJ45/1.4	Contact Tip	CuCrZr	1.4	0.055
PCJ45/1.0	Contact Tip	Ecu	1.0	0.040
PCJ45/1.2	Contact Tip	Ecu	1.2	0.045
PCJ45/1.4	Contact Tip	Ecu	1.4	0.055

C Diffuser

Part No.	Description	Material
PPA3503	Gas Diffuser	Ceramic

D Insulator

Part No.	Description
PPA3504	Insulator

E Tip Adaptor

Part No.	Description	Material
PPA3505	Tip Adaptor	Ecu

F Liners

Part No.	Description	Length	Wire Size	
			mm	
* PPA3535-30	Steel Liner x 3mt	3mt	1.0-1.4	
* PPA3535-40	Steel Liner x 4mt	4mt	1.0-1.4	
* PPA3535-50	Steel Liner x 5mt	5mt	1.0-1.4	

Spare Parts

Part No.	Description
1	PPA3504-W Spring Washer
2	PPA3501S 2 PC Neck Assembly
2a	PPA3501 1 PC Neck Assembly
3	PPA3502 Swan Neck Liner
4	PPA2021-C Cable Terminal Cover
5	PPA2021 Cable Terminal
6	PBE8016 Ball Joint and Spring Cable Support
7	PPA3514 Handle
8	PPA2016 Micro Switch
9	PPA3513 Trigger
10	PPA2012 Switch Insulator
11	PPA2008 Handle Screw Pack
12	PPA3517C-30 Duraflex Cable Assembly x 3mt
	PPA3517C-40 Duraflex Cable Assembly x 4mt
	PPA3517C-50 Duraflex Cable Assembly x 5mt
12a	PPA3517C-30E Duraflex Cable Assembly x 3mt Euro
	PPA3517C-40E Duraflex Cable Assembly x 4mt Euro
	PPA3517C-50E Duraflex Cable Assembly x 5mt Euro

*Denotes torch package standard wear part set-up
For more information please refer to the following sections:
•Master Wear Parts Table Page 11-12
•Rear-End / Cable Parts Page 13-15

